

The curve rails of series BSC are made to customers request, based on required radius, not inferior of 500mm, see below table.

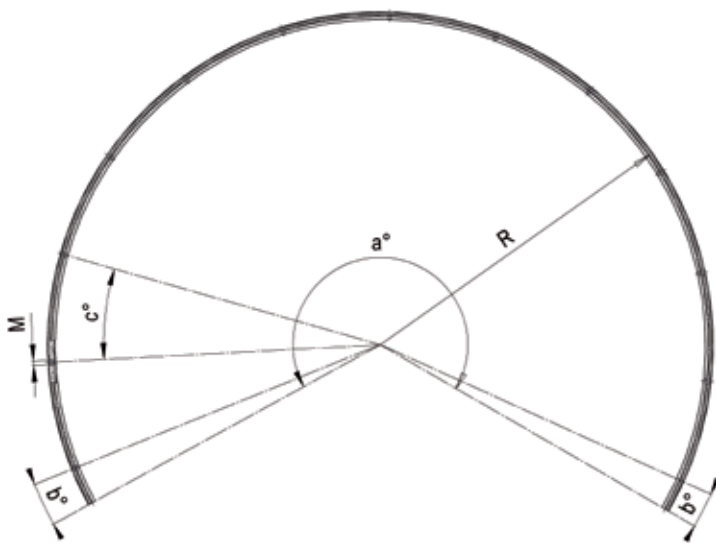
The curves radius is according to the requested angle a° with the limitation of lengths of one single rail-length. The rail is made from cold-drawn steel profiles with bright zinc-plating. The rails radial fixing points are also customized according to the below table.

On the rail is running 3-roller sliders, which also is ordered on request, based on the radius. The rollers are single row bearings with 2Z seals.

To assure a good lifetime of the system, we propose to grease regularly, based on the frequency, with grease of type "Class NLGI2" (ISO2137).



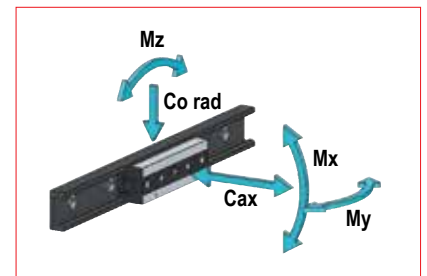
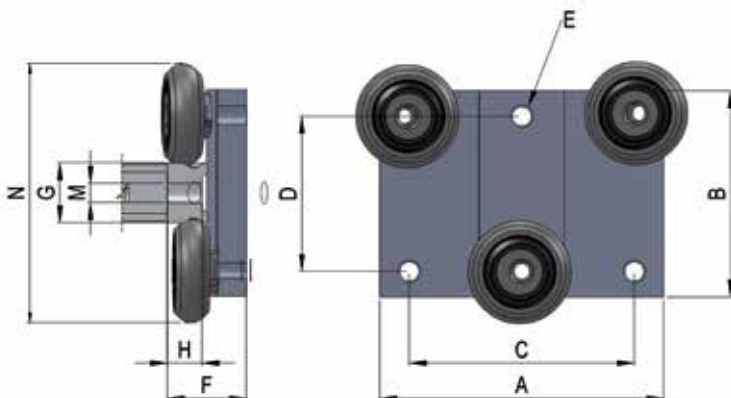
Rail of series BSC



Rail code	Radius of curve R (mm)	Lengths of rails (mm)	Arch of curve a°	Rails fixing holes		
				position b°	pitch c°	M (mm)
BSC28	500 min	3000 max.		on request		$\varnothing 5,5$
BSC43	600 min	4000 max.		on request		$\varnothing 6,5$

The fixing holes are for screws with cylindrical heads DIN.

Slider series RBS



Rail code	A (mm)	B (mm)	C (mm)	D (mm)	F (mm)	N (mm)	H (mm)	G (mm)	E (mm)	Load capacity (N)				
										Co rad	Co ax	Mx	My	Mz
RBS28-3	60	50	40	35	17,3	53,7	6,4	14,4	M5	800	400	2	6	8
RBS43-3	90	80	60	58	24,7	90,7	12,2	21	M6	1600	800	6	18	24