


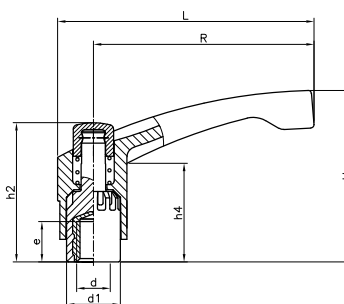


## 1198K ADJUSTABLE HANDLE K WITH THREADED INSERT



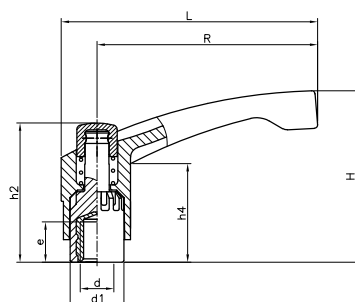
-  RAL 7021
-  RAL 7021 + RAL 2004
-  RAL 2004 + RAL 7021



Threaded brass insert.  
PA: Reinforced Polyamide.  
Spring in stainless-steel.

Code Black Body / Black Cap	Code Black Body / Orange Cap	Code Orange Body / Black Cap	R	L	H	d	e	h4	d1	h2
119841301	119842301	119843301	43	51	38	M4	8	23	13	33
119841302	119842302	119843302	43	51	38	M5	9	23	13	33
119841303	119842303	119843303	43	51	38	M6	10	23	13	33
119861301	119862301	119863301	65	75	48	M6	10	26	16	42
119861302	119862302	119863302	65	75	48	M8	14	26	16	42
119861303	119862303	119863303	65	75	48	M10	13	26	16	42
119881301	119882301	119883301	85	98	63	M8	14	34	20	51
119881302	119882302	119883302	85	98	63	M10	17	34	20	51
119881303	119882303	119883303	85	98	63	M12	19	34	20	51

## 1198K ADJUSTABLE HANDLE K WITH THREADED SS INSERT






Threaded female stainless-steel  
AISI-303 insert.  
PA: Reinforced Polyamide.  
Spring in stainless-steel.

Code	R	L	H	d	e	h4	d1	h2	Color
119841305	43	51	38	M6	10	23	13	33	Black
119861305	65	75	48	M6	10	26	16	42	Black
119861306	65	75	48	M8	14	26	16	42	Black
119881305	85	98	63	M10	17	34	20	51	Black

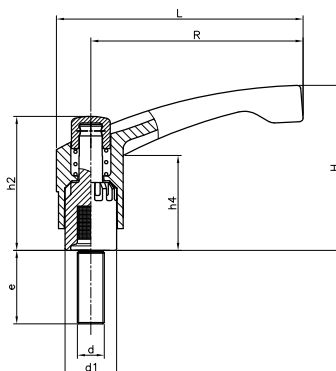
 RAL 7021

**INOX**  
Stainless  
Steel

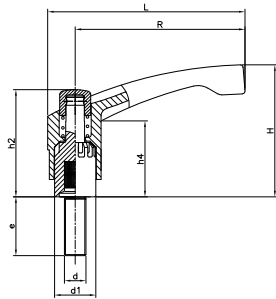


-  RAL 7021
-  RAL 7021 + RAL 2004
-  RAL 2004 + RAL 7021

Treated threaded steel stud.  
PA: Reinforced Polyamide.  
Spring in stainless-steel.



Code Black Body / Black Cap	Code Black Body / Orange Cap	Code Orange Body / Black Cap	R	L	H	d	e	h4	d1	h2
119841503	119842503	119843503	43	51	38	M5	10	23	13	33
119841504	119842504	119843504	43	51	38	M5	20	23	13	33
119841505	119842505	119843505	43	51	38	M6	15	23	13	33
119841506	119842506	119843506	43	51	38	M6	25	23	13	33
119841507	119842507	119843507	43	51	38	M6	40	23	13	33
119861501	119862501	119863501	65	75	48	M6	15	26	16	42
119861502	119862502	119863502	65	75	48	M6	20	26	16	42
119861503	119862503	119863503	65	75	48	M6	30	26	16	42
119861504	119862504	119863504	65	75	48	M6	40	26	16	42
119861523	119862523	119863523	65	75	48	M8	15	26	16	42
119861506	119862506	119863506	65	75	48	M8	20	26	16	42
119861507	119862507	119863507	65	75	48	M8	33	26	16	42
119861508	119862508	119863508	65	75	48	M8	47	26	16	42
119861511	119862511	119863511	65	75	48	M10	20	26	16	42
119861512	119862512	119863512	65	75	48	M10	30	26	16	42
119861513	119862513	119863513	65	75	48	M10	40	26	16	42
119881501	119882501	119883501	85	98	63	M8	20	34	20	51
119881502	119882502	119883502	85	98	63	M8	33	34	20	51
119881503	119882503	119883503	85	98	63	M8	47	34	20	51
119881504	119882504	119883504	85	98	63	M10	20	34	20	51
119881505	119882505	119883505	85	98	63	M10	30	34	20	51
119881506	119882506	119883506	85	98	63	M10	40	34	20	51
119881507	119882507	119883507	85	98	63	M12	30	34	20	51
119881508	119882508	119883508	85	98	63	M12	40	34	20	51
119881509	119882509	119883509	85	98	63	M12	60	34	20	51



Code	R	L	H	d	e	h4	d1	h2	Color
119841508	43	51	38	M6	15	23	13	33	Black
119861515	65	75	48	M6	15	26	16	42	Black
119861516	65	75	48	M8	20	26	16	42	Black
119861517	65	75	48	M8	40	26	16	42	Black
119881515	85	98	63	M10	20	34	20	51	Black
119881516	85	98	63	M10	30	34	20	51	Black
119881517	85	98	63	M12	30	34	20	51	Black
119881518	85	98	63	M12	50	34	20	51	Black

Threaded stainless-steel  
AISI-303 stud.  
PA: Reinforced Polyamide.  
Spring in stainless-steel.

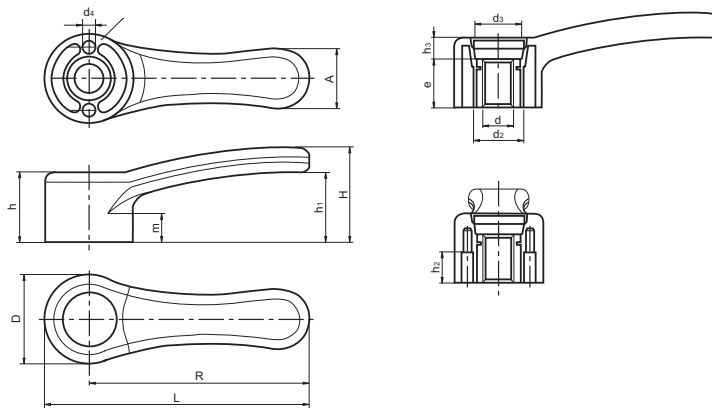


RAL 7021

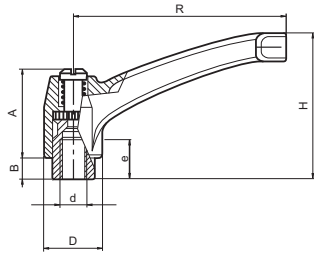


Code	R	D	H	d	L	e	h	h1	h2	h3	m	A	d2	d3	d4	Color	Cap
474906301	68	33	37	M6	84.5	16	25	27	12	9	12	20	20	16	4	Black	Grey
474906302	68	33	37	M8	84.5	16	25	27	12	9	12	20	20	16	4	Black	Grey
474908302	86	36	40	M8	104	16	28	29	12	12	13	24	22	18	5	Black	Grey
474908301	86	36	40	M10	104	16	28	29	12	12	13	24	22	18	5	Black	Grey
474911301	112	45	47	M12	134.5	24	36	35	15	12	16	30	26	23.5	6	Black	Grey
474914301	142	55	52	M16	169.5	27	40	36	19	13	17.5	37	32	28	8	Black	Grey

Zinc plated steel threaded bush.  
PA: Lever and cap made of reinforced  
polyamide.  
Lever body is colour black and cap is  
grey (RAL 7035).



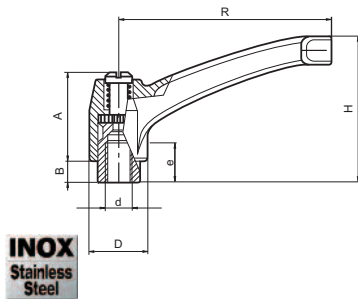
## 4750C INDEXED CLAMPING LEVER 4750 C WITH FEMALE THREAD



Black oxide treated steel insert with female threaded hole.  
Die Cast Zamak lever body, black RAL 9005.  
For other threads and colours (orange RAL 2004, grey RAL 7031), please ask.

Code	R	H	A	B	D	d	Color
475004301	43	30	24	5	14	M4	Black
475004302	43	30	24	5	14	M5	Black
475004303	43	30	24	5	14	M6	Black
475006302	65	45	27	7	19	M6	Black
475006301	65	45	27	7	19	M8	Black
475008303	80	56	33	8	22	M8	Black
475008302	80	56	33	8	22	M10	Black
475008301	80	56	33	8	22	M12	Black
475009301	94	65	39	10	26	M10	Black
475009303	94	65	39	10	26	M12	Black
475009302	94	65	39	10	26	M16	Black
475010301	108	77	41	12	30	M16	Black

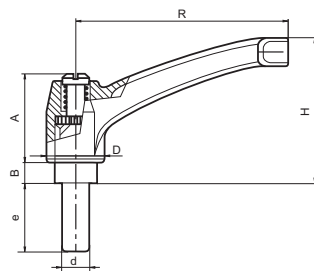
## 4750C INDEXED CLAMPING LEVER 4750 C WITH SS THREADED HOLE



Stainless steel insert with female threaded hole (AISI 303). Fixing screw (AISI 304). Spring (AISI 302).  
Die Cast Zamak lever body, black RAL 9005.  
For other threads and colours (orange RAL 2004, grey RAL 7031), please ask.

Code	R	H	A	B	D	d	e	Color
475004312	43	30	24	5	14	M5	9	Black
475004313	43	30	24	5	14	M6	9	Black
475006312	65	45	27	7	19	M6	10	Black
475006311	65	45	27	7	19	M8	10	Black
475008313	80	56	33	8	22	M8	14	Black
475008312	80	56	33	8	22	M10	13	Black
475008311	80	56	33	8	22	M12	12	Black
475009313	94	65	39	10	26	M12	20	Black
475010311	108	77	41	12	30	M16	26	Black

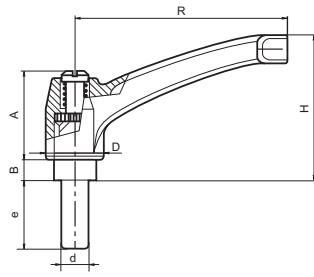
## 4750T INDEXED CLAMPING LEVER 4750 T WITH THREADED STUD



Black oxide treated steel insert with male threaded stud.  
Die Cast Zamak lever body, black RAL 9005.  
For other threads and colours (orange RAL 2004, grey RAL 7031), please ask.

Code	R	H	A	B	D	d	e	Color
475004505	43	30	24	5	14	M5	15	Black
475004508	43	30	24	5	14	M5	30	Black
475004509	43	30	24	5	14	M6	15	Black
475004511	43	30	24	5	14	M6	25	Black
475004513	43	30	24	5	14	M6	40	Black
475006512	65	45	27	7	19	M6	20	Black
475006514	65	45	27	7	19	M6	30	Black
475006502	65	45	27	7	19	M8	15	Black
475006501	65	45	27	7	19	M8	30	Black
475006508	65	45	27	7	19	M8	45	Black
475008501	80	56	33	8	22	M8	20	Black
475008505	80	56	33	8	22	M8	40	Black
475008507	80	56	33	8	22	M10	20	Black
475008511	80	56	33	8	22	M10	40	Black
475009517	94	65	39	10	26	M12	20	Black
475009504	94	65	39	10	26	M12	35	Black
475009507	94	65	39	10	26	M12	50	Black
475009515	94	65	39	10	26	M16	30	Black
475009501	94	65	39	10	26	M16	50	Black
475010501	108	77	41	12	30	M16	40	Black
475010502	108	77	41	12	30	M16	60	Black

## 4750T INDEXED CLAMPING LEVER 4750 T WITH SS THREADED STUD

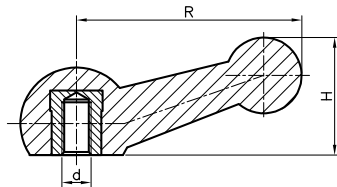


Stainless steel insert with threaded stud (AISI 303).  
Fixing screw (AISI 304). Spring (AISI 302).  
Die Cast Zamak lever body, black RAL 9005.  
For other threads and colours (orange RAL 2004,  
grey RAL 7031), please ask.

Code	R	H	A	B	D	d	e	Color
475004521	43	30	24	5	14	M5	16	Black
475004523	43	30	24	5	14	M5	30	Black
475004524	43	30	24	5	14	M6	16	Black
475004526	43	30	24	5	14	M6	30	Black
475006524	65	45	27	7	19	M8	16	Black
475006526	65	45	27	7	19	M8	30	Black
475006528	65	45	27	7	19	M10	20	Black
475006530	65	45	27	7	19	M10	40	Black
475008528	80	56	33	8	22	M12	20	Black
475008530	80	56	33	8	22	M12	50	Black
475009521	94	65	39	10	26	M12	30	Black
475010522	108	77	41	12	30	M16	20	Black
475010523	108	77	41	12	30	M16	50	Black

**INOX**  
Stainless  
Steel

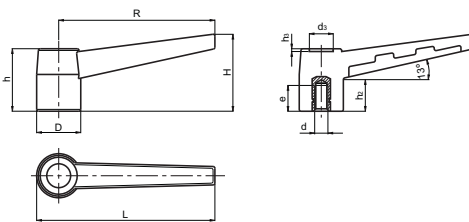
## 1130 BIBOLA FIXED LEVER



Treated steel insert.  
PA: Reinforced polyamide.

Code	R	H	d	Color
113008302	77	44	M10	Black

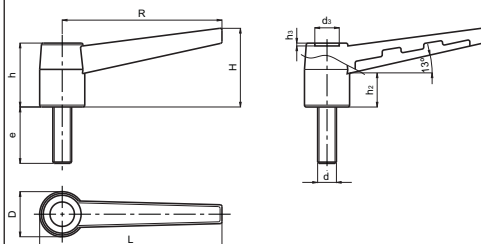
## 4751K FIXED LEVER 4751 K WITH THREADED INSERT



Brass insert .  
PA: Black reinforced polyamide.

Code	R	L	H	D	h	h2	h3	d3	d	e
475104301	43	50	21.5	15	19	9	1	7	M6	10
475106301	68	78	36	21	28.5	11	2	10	M8	15
475108301	83	93	40	24	34	18	2	13	M10	14

## 4751T FIXED LEVER 4751 T WITH THREADED STUD

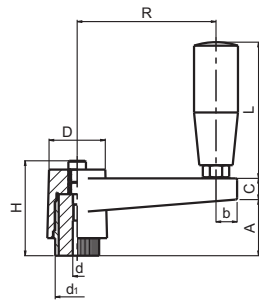


Treated steel stud.  
PA: Black reinforced polyamide.

Code	R	L	H	D	h	h2	h3	d3	d	e
475104501	43	50	21.5	15	19	9	1	7	M6	20
475104502	43	50	21.5	15	19	9	1	7	M6	40
475106501	68	78	36	21	28.5	11	2	10	M8	20
475106502	68	78	36	21	28.5	11	2	10	M8	40
475108501	83	93	40	24	34	18	2	13	M10	20
475108502	83	93	40	24	34	18	2	13	M10	40

**4712**

**INDEXED CRANK HANDLE BTC G WITH SMOOTH HOLE AND REVOLVING HANDLE**

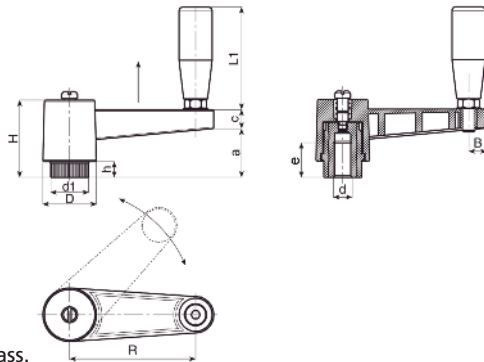


Code	R	H	d1	D	d	C	A	L	b	Color
471206301	65	45	19	27	5	12	24	56	11	Black
471208301	80	52	24	34	5	13	33	66	12	Black
471211301	110	52	24	34	5	14	33	66	13	Black

Central blind treated smooth steel insert.  
Side insert for the handle in brass.  
PA: Reinforced polyamide.

**4712K**

**INDEXED CRANK HANDLE BTC K WITH THREADED INSERT AND REVOLVING HANDLE**

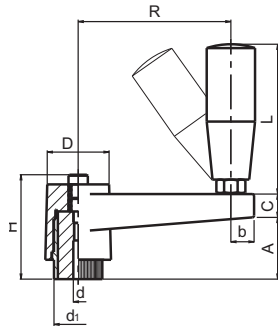


Code	R	H	d1	D	d	e	C	a	L1	B
471206331	65	46	19	27	M8	18	13	29	56	9
471206332	65	46	19	27	M10	17	13	29	56	9
471206333	65	46	19	27	M12	17	13	29	56	9
471208331	80	50	24	34	M12	22	13	32	66	12
471208332	80	50	24	34	M14	23	13	32	66	12
471208333	80	50	24	34	M16	20	13	32	66	12
471211331	110	50	24	34	M12	20	13	33	66	12
471211332	110	50	24	34	M14	20	13	33	66	12
471211333	110	50	24	34	M16	20	13	33	66	12

Treated threaded steel insert.  
Side insert for the handle in brass.  
PA: Reinforced Polyamide.

**4714**

**INDEXED CRANK HANDLE BTC G WITH SMOOTH HOLE AND FOLD AWAY REVOLVING HANDLE**

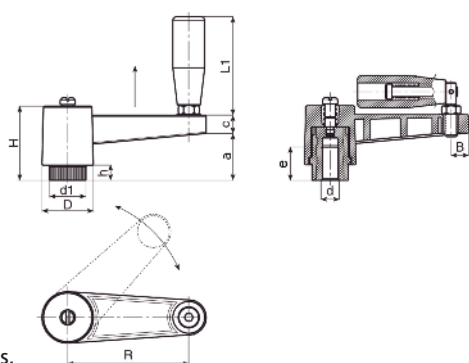


Code	R	H	d1	D	d	C	A	L	b	Color
471406381	65	45	19	27	5	12	24	56	11	Black
471408381	80	52	24	34	5	13	33	66	12	Black
471411381	110	52	24	34	5	14	33	66	13	Black

Central blind treated smooth steel insert.  
Side insert for the handle in brass.  
PA: Reinforced polyamide.

**4714K**

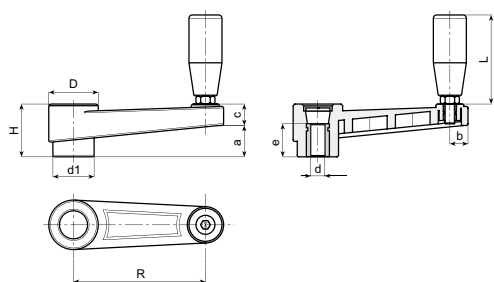
**INDEXED CRANK HANDLE BTC K WITH THREADED INSERT AND FOLD AWAY REVOLVING HANDLE**



Code	R	H	d1	D	d	e	C	A	L1	B
471406331	65	46	19	27	M8	18	13	29	54	9
471406332	65	46	19	27	M10	17	13	29	54	9
471406333	65	46	19	27	M12	17	13	29	54	9
471408331	80	50	24	34	M12	22	13	32	75	12
471408332	80	50	24	34	M14	23	13	32	75	12
471408333	80	50	24	34	M16	20	13	32	75	12
471411331	110	50	24	34	M12	20	13	33	75	12
471411332	110	50	24	34	M14	20	13	33	75	12
471411333	110	50	24	34	M16	20	13	33	75	12

Treated threaded steel insert.  
Side insert for the handle in brass.  
PA: Reinforced Polyamide.

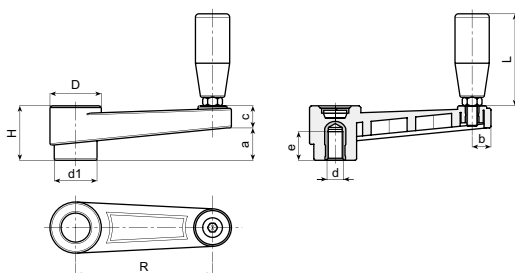
## 4715 CRANK HANDLE BTC H WITH SMOOTH INSERT AND REVOLVING HANDLE



Code	R	H	d1	D	d	e	c	a	L	b
471506301	65	29	22	27	5	20	13	17	56	10
471508301	80	33	26	31	5	24	13	18	56	11
471511301	110	39	29	34	5	28	14	25	66	12
471514301	140	49	35	43	5	30	16	35	76	13
471518301	185	55	40	47	5	34	15	40	86	14

Central through hole treated smooth steel insert.  
PA: Black reinforced polyamide. Cap: Grey (RAL 7035).

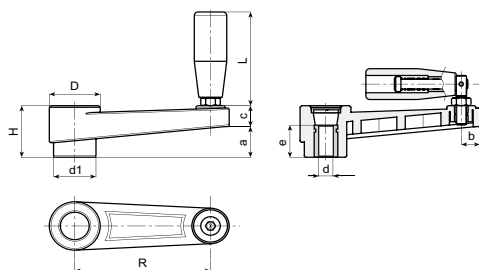
## 4715K CRANK HANDLE BTC K WITH THREADED INSERT AND REVOLVING HANDLE



Code	R	H	d1	D	d	e	c	a	L	b
471506331	65	30	22	26	M8	15	13	17	56	10
471506332	65	30	22	26	M10	15	13	17	56	10
471506333	65	30	22	26	M12	18	13	17	56	10
471508331	80	33	26	30	M8	18	13	19	56	11
471508332	80	33	26	30	M10	18	13	19	56	11
471508333	80	33	26	30	M12	18	13	19	56	11
471511331	110	39	29	33	M10	14	14	22	65	12
471511332	110	39	29	33	M12	18	14	22	65	12
471511333	110	39	29	33	M14	18	14	22	65	12
471514331	140	49	35	43	M12	19	16	34	76	13
471514332	140	49	35	43	M14	18	16	34	76	13
*471514333	140	49	35	43	M16	18	16	34	76	13
471518331	185	54	39	46	M12	17	16	40	86	14
471518332	185	54	39	46	M14	19	16	40	86	14
*471518333	185	54	39	46	M16	18	16	40	86	14

Threaded female brass insert.  
\* Treated threaded steel insert.  
Side insert for the handle in brass.  
PA: Black reinforced polyamide.  
Cap: Grey (RAL 7035).

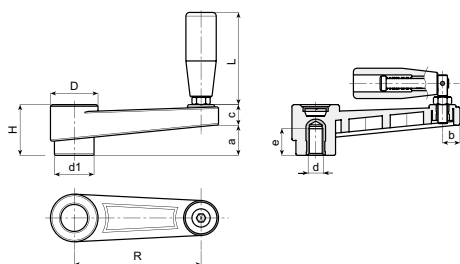
## 4716 CRANK HANDLE BTC H WITH SMOOTH INSERT AND FOLD AWAY REVOLVING HANDLE



Code	R	H	d1	D	d	e	c	a	L	b
471606381	65	29	22	27	5	20	13	17	56	10
471608381	80	33	26	31	5	24	13	18	56	11
471611381	110	39	29	34	5	28	14	25	66	12
471614381	140	49	35	43	5	30	16	35	76	13
471618381	185	55	40	47	5	34	15	40	86	14

Central through hole smooth treated steel insert.  
PA: Black reinforced polyamide. Cap: Grey (RAL 7035).

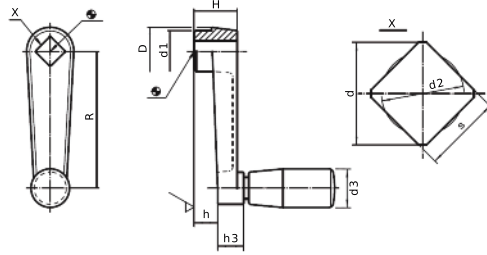
## 4716K CRANK HANDLE BTC K WITH THREADED INSERT AND FOLD AWAY REVOLVING HANDLE



Code	R	H	d1	D	d	e	c	a	L	b
471606331	65	30	22	26	M8	15	13	17	54	10
471606332	65	30	22	26	M10	15	13	17	54	10
471606333	65	30	22	26	M12	18	13	17	54	10
471608331	80	33	26	30	M8	18	13	19	54	11
471608332	80	33	26	30	M10	18	13	19	54	11
471608333	80	33	26	30	M12	18	13	19	54	11
471611331	110	39	29	33	M10	14	14	22	75	12
471611332	110	39	29	33	M12	18	14	22	75	12
471611333	110	39	29	33	M14	18	14	22	75	12
471614331	140	49	35	43	M12	19	16	34	89	13
471614332	140	49	35	43	M14	18	16	34	89	13
*471614333	140	49	35	43	M16	18	16	34	89	13
471618331	185	54	39	46	M12	17	16	40	97	14
471618332	185	54	39	46	M14	19	16	40	97	14
*471618333	185	54	39	46	M16	18	16	40	97	14

Threaded female brass insert.  
\* Treated threaded steel insert.  
PA: Black reinforced polyamide.  
Cap: Grey (RAL 7035).

## 3805 CRANK HANDLE WITH SQUARE HOLE AND ROTATING HANDLE



Square hole.

Rotating cylindrical handle.

Za: Zinc die-cast, plastic coated, black.

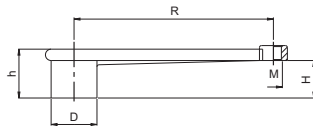
AL: Aluminium, plastic coated, black.

Cylindrical handle: Black Phenolic.

Alternative to crank handles DIN 469.

Code	R	h	H	d1	d	s	d2	D	h3	d3	Material
380500420	50	10	18	16	10,1	8	8,4	18	10	14	Za
380500422	64	11	20	19	13,1	10	10,5	22	12	18	Za
380500424	80	14	24	23	13,1	10	10,5	26	14	21	Za
380500436	100	17	28	27	16,1	12	12,6	30	15	23	Za
380500414	125	22	34	32	18,1	14	14,7	35	18	26	AL
380500416	160	26	38	35	22,2	17	17,9	39	18	26	AL

## 3330 ALUMINIUM HANDLE DIN 469 F



Code	R	H	h	D	M	Color
333012101	125	22	35	35	M10	Natural
333016101	160	31	41	38	M10	Natural
333020101	200	35	49	46	M12	Natural
333025101	250	28	48	48	M12	Natural



Without central hole

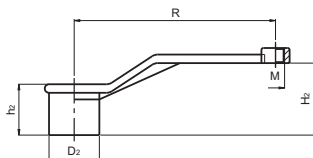
AL: Aluminium.

Threaded hole for handle.

Recommended handles: 3310,3311,3312 or 3313. See page 86.

Handles not included.

## 3332 ALUMINIUM HANDLE DIN 468 F



Code	R	H2	h2	D2	M	Color
333210101	100	48	28	28	M8	Natural
333212101	125	50	35	35	M10	Natural
333216101	160	60	38	41	M10	Natural
333220101	200	75	47	45	M12	Natural
333225101	250	91	48	47	M12	Natural



Without central hole

AL: Aluminium.

Threaded hole for handle.

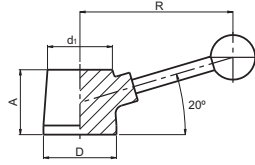
Recommended handles: 3310,3311,3312 or 3313.

See page 86.

Handles not included.



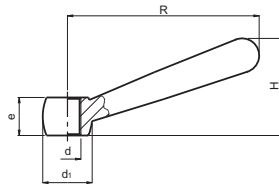
### 3338 CONNECTION LEVER SN-KG F



Code	R	D	A	d1	Color
333830101	80	30	23	21	Natural
333850101	120	50	40	40	Natural
333862101	150	63	40	50	Natural
333870101	175	70	45	56	Natural
333880101	190	80	50	66	Natural

Without hole  
AL: Aluminium  
Chromated steel lever and black duroplast ball.

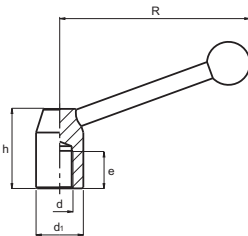
### 3740 DIN 99-N LEVER



Code	R	d	e	d1	H	Color
374000050	50	M6	9.5	12	24	Blackened
374000063	63	M8	12.5	16	31	Blackened
374000080	80	M10	15	20	38	Blackened
374000100	100	M12	19	25	47	Blackened
374000125	125	M16	25	32	60	Blackened
374000160	160	M20	31	40	76	Blackened
374000200	200	M24	41	50	97	Blackened

Threaded through hole.  
FE: Steel blackened.  
If you need in stainless steel, please ask.

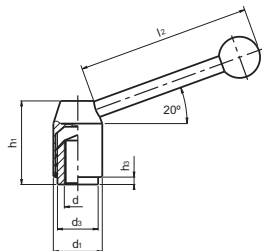
### 3743 FIXED CLAMPING LEVERS C WITH BALL KNOB



Code	d1	R	h	d	e	Color
374320301	20	72	33	M8	15	Blackened
374322301	22	85	37	M10	15	Blackened
374328301	28	115	47	M12	18	Blackened
374336301	36	145	58	M16	24	Blackened
374345301	45	180	71	M20	30	Blackened

Female thread.  
FE: Blackened steel. Black Duroplast ball knob.

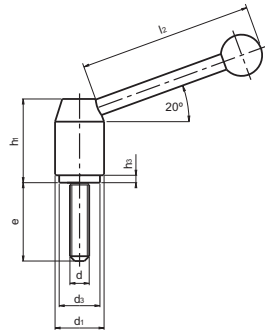
### 3744 ADJUSTABLE CLAMPING LEVERS C WITH BALL KNOB



Code	d1	d3	h3	h1	l2	d	Color
374421301	21	13	1	33	70	M8	Blackened
374424301	24	16	2.5	40	96	M10	Blackened
374428301	28	19	4.5	48	110	M12	Blackened
374433301	33	23	5.5	55	124	M16	Blackened
374440301	40	30	5.5	68	138	M20	Blackened

Female thread.  
FE: Blackened steel. Black Duroplast ball knob.

## 3744 ADJUSTABLE CLAMPING LEVERS T WITH BALL KNOB



Code	d1	d3	h3	h1	l2	d	e	Color
374421501	21	13	1	33	70	M8	32	Blackened
374424501	24	16	2.5	40	96	M10	40	Blackened
374428501	28	19	4.5	48	110	M12	50	Blackened
374433501	33	23	5.5	55	124	M16	63	Blackened
374440501	40	30	5.5	68	138	M20	80	Blackened

Threaded stud.

FE: Blackened steel. Black Duroplast ball knob.