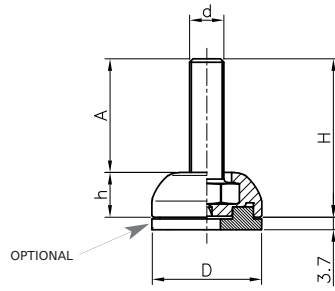


1188 FIXED FEET



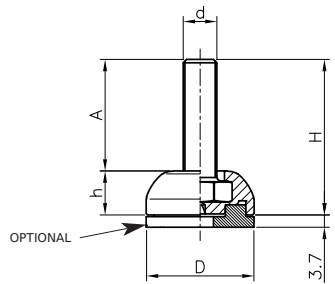
Code	D	H	h	d	A	Kg*	Color
118832520	32	38	13	M5	25	500	Black
118832512	32	43	13	M6	30	700	Black
118832533	32	39	13	M8	26	800	Black
118832534	32	36	13	M10	23	800	Black
118840520	40	38	13	M5	25	500	Black
118840540	40	43	13	M6	30	700	Black
118840533	40	49	13	M8	36	800	Black
118840534	40	46	13	M10	33	800	Black

Treated threaded steel stud.
PA: Black reinforced polyamide base.
* Max. static load.



Optional:
Non-slip rubber pad.
Supplied as an accessory (not mounted).
Ø 32mm Code 118800903
Ø 40mm Code 118800904

1188 FIXED FEET WITH SS STUD



Code	D	H	h	d	A	Kg*	Color
118832553	32	43	13	M6	30	700	Black
118832550	32	39	13	M8	26	800	Black
118832551	32	36	13	M10	23	800	Black
118840552	40	43	13	M6	30	700	Black
118840550	40	49	13	M8	36	800	Black
118840551	40	46	13	M10	33	800	Black

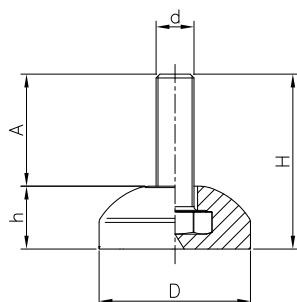
Stainless-steel AISI-304 threaded stud.
PA: Black reinforced polyamide base.
* Max. static load.



Optional:
Non-slip rubber pad.
Supplied as an accessory (not mounted).
Ø 32mm Code 118800903
Ø 40mm Code 118800904

INOX
Stainless
Steel

1188 FIXED RUBBER FEET



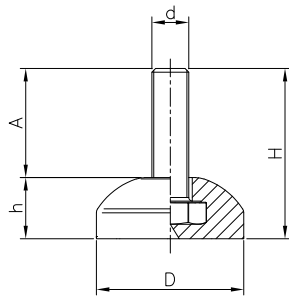
Code	D	H	h	d	A	Kg*	Color
118832570	32	42	16	M8	26	300	Black
118832571	32	36	16	M10	20	400	Black
118840570	40	52	16	M8	36	300	Black
118840571	40	46	16	M10	30	400	Black

Treated threaded steel stud.
RB: Rubber (Sh A 80).
* Max. static load.

1188 FIXED RUBBER FEET WITH SS STUD



INOX
Stainless Steel



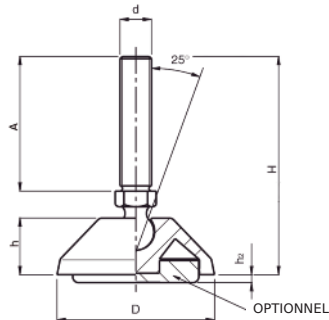
Code	D	H	h	d	A	Kg*	Color
118832580	32	42	16	M8	26	300	Black
118832581	32	36	16	M10	20	400	Black
118840580	40	52	16	M8	36	300	Black
118840581	40	46	16	M10	30	400	Black

Stainless-steel AISI-304 threaded stud.

RB: Rubber (Sh A 80).

* Max. static load.

1189 ADJUSTABLE FEET



Treated threaded steel stud.

PA: Black reinforced polyamide base.

* Max. static load.(vertical stud)



Optional:

Non-slip rubber pad.

Supplied as an accessory (not mounted).

Ø 32 mm Code 1188 00 903

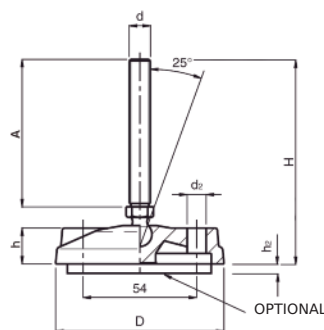
Ø 40 mm Code 1188 00 904

Ø 50 mm Code 1189 00 905 (NBR 70 Shore A)

Ø 80 mm Code 1189 00 907 (NBR 70 Shore A)

Code	D	H	h	d	A	h2	Kg*	Color
118903851	32	67	13	M8	45	2	1000	Black
118903852	32	92	13	M8	70	2	1000	Black
118903853	32	67	13	M10	45	2	1000	Black
118903854	32	92	13	M10	70	2	1000	Black
118904851	40	67	13	M8	45	3	1000	Black
118904852	40	92	13	M8	70	3	1000	Black
118904853	40	67	13	M10	45	3	1000	Black
118904854	40	92	13	M10	70	3	1000	Black
118905856	50	72	18	M8	45	2	1000	Black
118905857	50	97	18	M8	70	2	1000	Black
118905851	50	72	18	M10	45	2	1000	Black
118905852	50	97	18	M10	70	2	1000	Black
118905853	50	72	18	M12	45	2	1000	Black
118905854	50	97	18	M12	70	2	1000	Black
118908861	80	73	19	M8	45	2	1000	Black
118908862	80	98	19	M8	70	2	1000	Black
118908853	80	73	19	M10	45	2	1000	Black
118908854	80	98	19	M10	70	2	1000	Black
118908851	80	73	19	M12	45	2	1000	Black
118908852	80	98	19	M12	70	2	1000	Black
118908863	80	98	19	M14	70	2	1000	Black
118908864	80	148	19	M14	120	2	1000	Black
118908855	80	98	19	M16	70	2	1000	Black
118908856	80	148	19	M16	120	2	1000	Black
118908857	80	128	19	M20	100	2	1000	Black

1190 ADJUSTABLE FEET WITH THROUGH HOLES



Treated threaded steel stud.

PA: Black reinforced polyamide base.

* Max. static load.(vertical stud)



Optional:

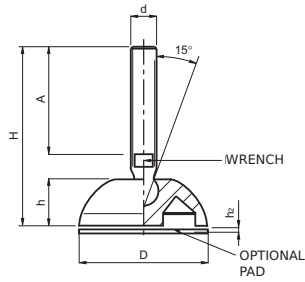
Non-slip rubber pad NBR 70 Shore A.

Supplied as an accessory (not mounted).

Ø 80 mm Code 1190 00 908

Code	D	H	h	d	A	h2	d2	Kg*	Color
119008858	80	73	19	M8	45	2	9	1000	Black
119008859	80	98	19	M8	70	2	9	1000	Black
119008853	80	73	19	M10	45	2	9	1000	Black
119008854	80	98	19	M10	70	2	9	1000	Black
119008851	80	73	19	M12	45	2	9	1000	Black
119008852	80	98	19	M12	70	2	9	1000	Black
119008860	80	98	19	M14	70	2	9	1000	Black
119008861	80	148	19	M14	120	2	9	1000	Black
119008855	80	98	19	M16	70	2	9	1000	Black
119008856	80	148	19	M16	120	2	9	1000	Black
119008857	80	128	19	M20	100	2	9	1000	Black

4201 ADJUSTABLE FEET 40/50 STAINLESS-STEEL STUD



Code	D	h	d	A	H	Wrench	h2	Kg*	Color
420104550	40	13	M8	45	68	6	2,5	1000	Black
420104551	40	13	M8	65	88	6	2,5	1000	Black
420104552	40	13	M10	35	60	8	2,5	1100	Black
420104553	40	13	M10	70	95	8	2,5	1100	Black
420105550	50	13	M8	45	68	6	2,5	1100	Black
420105551	50	13	M8	65	88	6	2,5	1100	Black
420105552	50	13	M10	35	60	8	2,5	1200	Black
420105553	50	13	M10	70	95	8	2,5	1200	Black
420105554	50	13	M12	43	70	10	2,5	1300	Black
420105555	50	13	M12	63	90	10	2,5	1300	Black

Stainless-steel AISI-304 threaded stud.

PA: Reinforced polyamide.

*Maximum static load calculated with vertical stud.

Other studs lengths: Please ask!

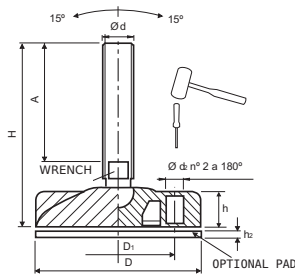
Optional: Non-slip rubber pad made of black PVC is supplied as an accessory (not mounted).

Ø 40 mm Code: 4250 01 040

Ø 50 mm Code: 4250 01 050



4201 ADJUSTABLE FEET 102/124 WITH STEEL STUD



Code	D	D1	h	d	A	H	d2	Wrench	h2	Kg*	Color
420110530	102	74	18	M16	90	130	10,5	13	3	2200	Black
420110531	102	74	18	M16	125	165	10,5	13	3	2200	Black
420110532	102	74	18	M16	165	205	10,5	13	3	2200	Black
420110533	102	74	18	M20	116	160	10,5	17	3	2400	Black
420110534	102	74	18	M20	206	250	10,5	17	3	2400	Black
420112530	124	94	24	M16	90	134	10,5	13	3	2500	Black
420112531	124	94	24	M16	125	169	10,5	13	3	2500	Black
420112532	124	94	24	M16	165	209	10,5	13	3	2500	Black
420112533	124	94	24	M20	116	164	10,5	17	3	2700	Black
420112534	124	94	24	M20	206	254	10,5	17	3	2700	Black

Zinc-plated treated threaded stud.

PA: Reinforced polyamide.

*Maximum static load calculated with vertical stud.

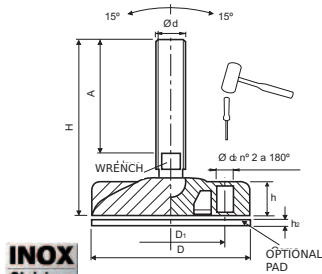
Holes can be opened with the help of a hammer for fixing the foot to the floor. Other studs lengths: Please ask.

Optional: Non-slip rubber pad made of black PVC is supplied as an accessory (not mounted).

Ø 102 mm Code: 4250 01 100

Ø 124 mm Code: 4250 01 120

4201 ADJUSTABLE FEET 80/102/124 WITH STAINLESS-STEEL STUD



Code	D	D1	h	d	A	H	d2	Wrench	h2	Kg*	Color
420108550	80	54	14	M8	45	74	9	6	3	1200	Black
420108551	80	54	14	M8	65	94	9	6	3	1200	Black
420108552	80	54	14	M10	35	66	9	8	3	1400	Black
420108553	80	54	14	M10	70	101	9	8	3	1400	Black
420108554	80	54	14	M12	43	76	9	10	3	1500	Black
420108555	80	54	14	M12	77	111	9	10	3	1500	Black
420108556	80	54	14	M16	60	97	9	13	3	1900	Black
420108557	80	54	14	M16	125	162	9	13	3	1900	Black
420108558	80	54	14	M20	116	157	9	17	3	2100	Black
420110550	102	74	18	M16	90	130	10,5	13	3	2200	Black
420110551	102	74	18	M16	125	165	10,5	13	3	2200	Black
420110552	102	74	18	M16	165	205	10,5	13	3	2200	Black
420110553	102	74	18	M20	116	160	10,5	17	3	2400	Black
420110554	102	74	18	M20	206	250	10,5	17	3	2400	Black
420112550	124	94	24	M16	90	134	10,5	13	3	2500	Black
420112551	124	94	24	M16	125	169	10,5	13	3	2500	Black
420112552	124	94	24	M16	165	209	10,5	13	3	2500	Black
420112553	124	94	24	M20	116	164	10,5	17	3	2700	Black
420112554	124	94	24	M20	206	254	10,5	17	3	2700	Black

Stainless-steel AISI 304 threaded stud.

PA: Reinforced polyamide.

*Maximum static load calculated with vertical stud.

Holes can be opened with the help of a hammer for fixing the foot to the floor. Other studs lengths: Please ask.

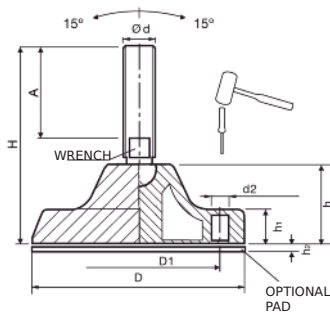
Optional: Non-slip rubber pad made of black PVC is supplied as an accessory (not mounted).

Ø 80 mm Code: 4250 01 080

Ø 102 mm Code: 4250 01 100

Ø 124 mm Code: 4250 01 120

4201HT ADJUSTABLE FEET 121 WITH STEEL STUD



Code	D	h	h1	d	A	H	D1	d2	Wrench	h2	Kg*	Color
420112502	121	41	20	M16	90	150	90	11	13	5	2500	Black
420112504	121	41	20	M16	125	185	90	11	13	5	2500	Black
420112506	121	41	20	M16	165	225	90	11	13	5	2500	Black
420112507	121	41	20	M20	86	149	90	11	17	5	2700	Black
420112509	121	41	20	M20	141	204	90	11	17	5	2700	Black
420112511	121	41	20	M24	96	159	90	11	19	5	2900	Black
420112513	121	41	20	M24	152	215	90	11	19	5	2900	Black
420112514	121	41	20	M24	182	245	90	11	19	5	2900	Black

PA: Reinforced polyamide.

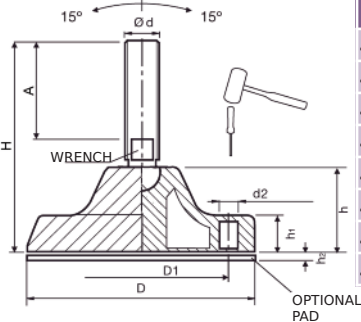
Zinc-plated treated threaded stud.

*Maximum static load calculated with vertical stud.
Holes can be opened with the help of a hammer for fixing the foot to the floor.

Other studs lengths: Please ask.

Optional: Non-slip rubber pad is supplied as an accessory, code 425002120.

4201HT ADJUSTABLE FEET 121 WITH STAINLESS-STEEL STUD



Code	D	h	h1	d	A	H	D1	d2	Wrench	h2	Kg*	Color
420112571	121	41	20	M16	90	150	90	11	13	5	2500	Black
420112572	121	41	20	M16	125	185	90	11	13	5	2500	Black
420112575	121	41	20	M16	165	225	90	11	13	5	2500	Black
420112576	121	41	20	M20	86	149	90	11	17	5	2700	Black
420112578	121	41	20	M20	141	204	90	11	17	5	2700	Black
420112580	121	41	20	M24	96	159	90	11	19	5	2900	Black
420112582	121	41	20	M24	152	215	90	11	19	5	2900	Black
420112583	121	41	20	M24	182	245	90	11	19	5	2900	Black

PA: Reinforced polyamide.

Stainless-steel threaded stud (AISI 304).

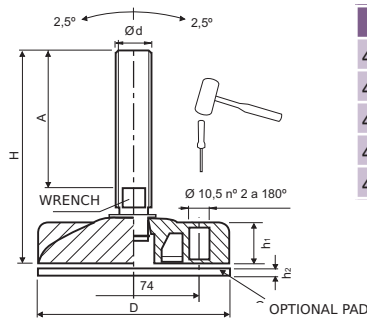
*Maximum static load calculated with vertical stud.
Holes can be opened with the help of a hammer for fixing the foot to the floor.

Other studs lengths: Please ask.

Optional: Non-slip rubber pad is supplied as an accessory, code 425002120.



4202 ADJUSTABLE FEET 102 FOR HEAVY LOADS WITH STEEL STUD



Code	D	h1	d	A	H	Wrench	h2	Kg*	Color
420210530	102	18	M16	119	159	13	3	3300	Black
420210531	102	18	M16	201	241	13	3	3300	Black
420210532	102	18	M20	107	150	17	3	3500	Black
420210533	102	18	M20	157	200	17	3	3500	Black
420210534	102	18	M24	162	208	19	3	3700	Black

Zinc-plated treated threaded stud.

PA: Reinforced polyamide.

*Maximum static load calculated with vertical stud.
Holes can be opened with the help of a hammer for fixing the foot to the floor.

Other studs lengths: Please ask.

Optional: Non-slip rubber pad made of black PVC is supplied as an accessory (not mounted).

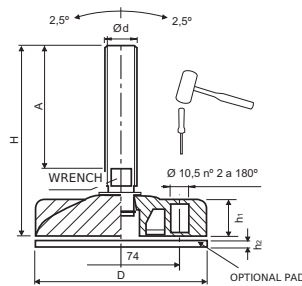
Ø 102 mm Code: 4250 01 100

4202

ADJUSTABLE FEET 102 FOR HEAVY LOADS WITH STAINLESS-STEEL STUD



INOX
Stainless Steel



Code	D	h1	d	A	H	Wrench	h2	Kg*	Color
420210550	102	20	M16	119	159	13	3	3300	Black
420210551	102	20	M16	201	241	13	3	3300	Black
420210552	102	20	M20	107	150	17	3	3500	Black
420210553	102	20	M20	157	200	17	3	3500	Black
420210554	102	20	M24	162	208	19	3	3700	Black

Stainless-steel AISI 304 threaded stud.

PA: Reinforced polyamide.

*Maximum static load calculated with vertical stud.

Holes can be opened with the help of a hammer for fixing the foot to the floor.

Other studs lenghts: Please ask.

Optional: Non-slip rubber pad made of black PVC is supplied as an accessory (not mounted).

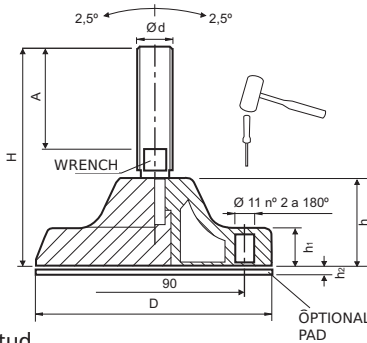
Ø 102 mm Code: 4250 01 100

4202

ADJUSTABLE FEET 121 FOR HEAVY LOADS WITH STEEL STUD



INOX
Stainless Steel



Code	D	h	h1	d	A	H	Wrench	h2	Kg*	Color
420212530	121	41	20	M16	119	176	13	5	4300	Black
420212531	121	41	20	M16	201	258	13	5	4300	Black
420212532	121	41	20	M20	107	167	17	5	4500	Black
420212533	121	41	20	M20	157	217	17	5	4500	Black
420212534	121	41	20	M24	162	225	19	5	4700	Black
420212539	121	41	20	M24	90	153	19	5	4700	Black
420212541	121	41	20	M30	125	188	24	5	5000	Black
420212542	121	41	20	M30	185	248	24	5	5000	Black

Zinc-plated treated threaded stud.

PA: Reinforced polyamide.

*Maximum static load calculated with vertical stud.

Holes can be opened with the help of a hammer for fixing the foot to the floor.

Other studs lenghts: Please ask.

Optional: Non-slip rubber pad made of black PVC is supplied as an accessory (not mounted).

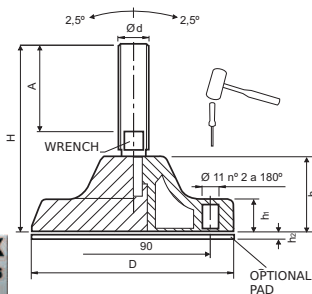
Code: 4250 02 120

4202

ADJUSTABLE FEET 121 FOR HEAVY LOADS WITH STAINLESS-STEEL STUD



INOX
Stainless Steel



Code	D	h	h1	d	A	H	Wrench	h2	Kg*	Color
420212550	121	41	20	M16	119	176	13	5	4300	Black
420212551	121	41	20	M16	201	258	13	5	4300	Black
420212552	121	41	20	M20	107	167	17	5	4500	Black
420212553	121	41	20	M20	157	217	17	5	4500	Black
420212554	121	41	20	M24	162	225	19	5	4700	Black
420212559	121	41	20	M24	90	153	19	5	4700	Black
420212561	121	41	20	M30	125	188	24	5	5000	Black
420212562	121	41	20	M30	185	248	24	5	5000	Black

Stainless-steel AISI 304 threaded stud.

PA: Reinforced polyamide.

*Maximum static load calculated with vertical stud.

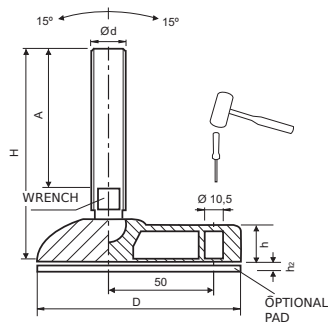
Holes can be opened with the help of a hammer for fixing the foot to the floor.

Other studs lenghts: Please ask.

Optional: Non-slip rubber pad made of black PVC is supplied as an accessory (not mounted).

Code: 4250 02 120

4203 ADJUSTABLE ASYMETRICAL BASE FEET WITH STEEL STUD



Code	D	d	A	H	Wrench	h	h2	Kg*	Color
420309530	95	M8	45	72	6	15	3	1200	Black
420309531	95	M8	65	92	6	15	3	1200	Black
420309532	95	M10	70	99	8	15	3	1300	Black
420309533	95	M12	43	74	10	15	3	1400	Black
420309534	95	M12	93	124	10	15	3	1400	Black
420309535	95	M16	90	125	13	15	3	1700	Black
420309536	95	M16	125	160	13	15	3	1700	Black
420309537	95	M16	165	200	13	15	3	1700	Black

Zinc-plated treated threaded stud.

PA: Reinforced polyamide.

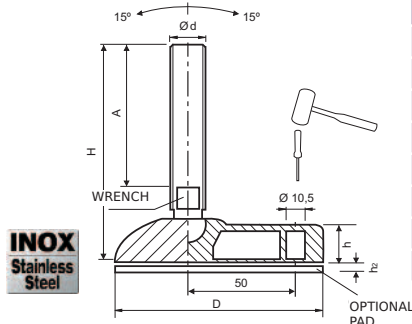
*Maximum static load calculated with vertical stud.
Holes can be opened with the help of a hammer for fixing the foot to the floor.

Other studs lengths: Please ask.

Optional: Non-slip rubber pad made of black PVC is supplied as an accessory (not mounted).

Code: 4250 03 090

4203 ADJUSTABLE ASYMETRICAL BASE FEET WITH STAINLESS-STEEL STUD



Code	D	d	A	H	Wrench	h	h2	Kg*	Color
420309550	95	M8	45	72	6	15	3	1200	Black
420309551	95	M8	65	92	6	15	3	1200	Black
420309552	95	M10	70	99	8	15	3	1300	Black
420309553	95	M12	43	74	10	15	3	1400	Black
420309554	95	M12	93	124	10	15	3	1400	Black
420309555	95	M16	90	125	13	15	3	1700	Black
420309556	95	M16	125	160	13	15	3	1700	Black
420309557	95	M16	165	200	13	15	3	1700	Black

Stainless-steel AISI 304 threaded stud.

PA: Reinforced polyamide.

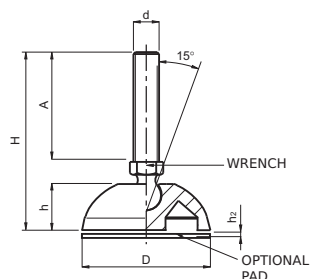
*Maximum static load calculated with vertical stud.
Holes can be opened with the help of a hammer for fixing the foot to the floor.

Other studs lengths: Please ask.

Optional: Non-slip rubber pad made of black PVC is supplied as an accessory (not mounted).

Code: 4250 03 090

4204 ADJUSTABLE FEET 60 WITH POLYAMIDE BASE AND STUD



Code	D	h	d	A	H	Wrench	h2	Kg*	Color
420406501	60	17	M16	67	101	24	3	700	Black
420406502	60	17	M20	140	174	24	3	750	Black

Base and stud made both of reinforced polyamide.

PA: Reinforced polyamide.

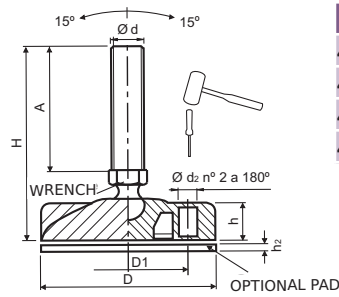
*Maximum static load calculated with vertical stud.

Other studs lengths: Please ask.

Optional: Non-slip rubber pad made of black PVC is supplied as an accessory (not mounted).

Code: 4250 01 060

4204 ADJUSTABLE FEET 80/102 WITH POLYAMIDE BASE AND STUD

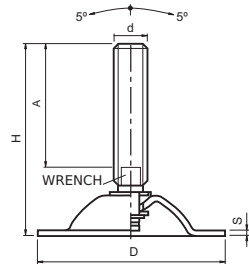


Code	D	D1	h	d	A	H	d2	Wrench	h2	Kg*	Color
420408501	80	54	14	M16	67	104	9	24	3	700	Black
420408502	80	54	14	M20	140	177	9	24	3	750	Black
420410501	102	74	18	M16	67	107	10,5	24	3	700	Black
420410502	102	74	18	M20	140	180	10,5	24	3	750	Black

Base and stud made both of reinforced polyamide.
 PA: Reinforced thermoplastic.
 *Maximum static load calculated with vertical stud.
 Holes can be opened with the help of a hammer for fixing the foot to the floor.

Other studs lengths: Please ask.
 Optional: Non-slip rubber pad made of black PVC is supplied as an accessory (not mounted).
 Ø Code: 4250 01 080
 Ø Code: 4250 01 100

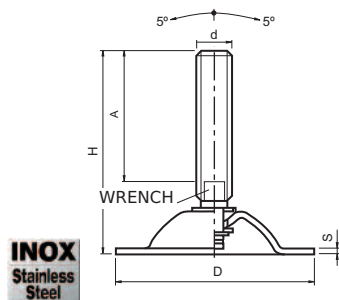
4205 STEEL FEET



Code	D	H	d	A	S	Wrench	Kg*	Color
420511530	113	100	M16	58	3,5	13	1500	natural
420511531	113	187	M16	145	3,5	13	1500	natural
420511532	113	152	M20	107	3,5	17	1500	natural
420511533	113	202	M20	157	3,5	17	1500	natural
420511534	113	138	M24	90	3,5	19	1500	natural
420511535	113	210	M24	162	3,5	19	1500	natural
420511536	113	173	M30	125	3,5	24	1500	natural

Zinc-plated steel.
 *Maximum static load calculated with vertical stud.

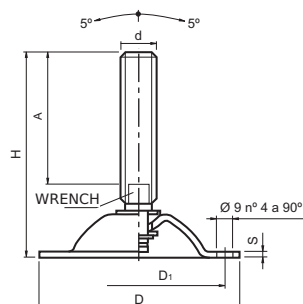
4205 STAINLESS-STEEL FEET



Code	D	H	d	A	S	Wrench	Kg*	Color
420511550	113	100	M16	58	3,5	13	1000	natural
420511551	113	187	M16	145	3,5	13	1000	natural
420511552	113	152	M20	107	3,5	17	1000	natural
420511553	113	202	M20	157	3,5	17	1000	natural
420511554	113	138	M24	90	3,5	19	1000	natural
420511555	113	210	M24	162	3,5	19	1000	natural
420511556	113	173	M30	125	3,5	24	1000	natural

Stainless-steel AISI-304.
 *Maximum static load calculated with vertical stud.

4206 STEEL FEET WITH HOLES



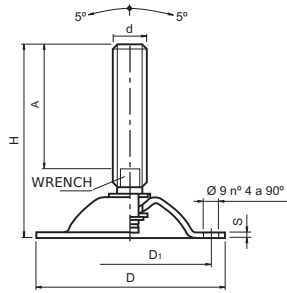
Code	D	H	d	A	D1	S	Wrench	Kg*	Color
420611530	113	100	M16	58	95	3,5	13	1500	natural
420611531	113	187	M16	145	95	3,5	13	1500	natural
420611532	113	152	M20	107	95	3,5	17	1500	natural
420611533	113	202	M20	157	95	3,5	17	1500	natural
420611534	113	138	M24	90	95	3,5	19	1500	natural
420611535	113	210	M24	162	95	3,5	19	1500	natural
420611536	113	173	M30	125	95	3,5	24	1500	natural

Zinc-plated steel.
 *Maximum static load calculated with vertical stud.

4206 STAINLESS-STEEL FEET WITH HOLES



INOX
Stainless
Steel

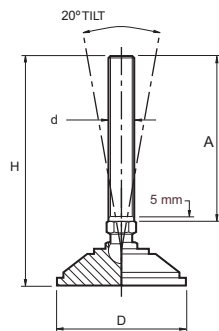


Code	D	H	d	A	D1	S	Wrench	Kg*	Color
420611550	113	100	M16	58	95	3,5	13	1000	natural
420611551	113	187	M16	145	95	3,5	13	1000	natural
420611552	113	152	M20	107	95	3,5	17	1000	natural
420611553	113	202	M20	157	95	3,5	17	1000	natural
420611554	113	138	M24	90	95	3,5	19	1000	natural
420611555	113	210	M24	162	95	3,5	19	1000	natural
420611556	113	173	M30	125	95	3,5	24	1000	natural

Stainless-steel AISI-304.

*Maximum static load calculated with vertical stud.

8201 FEET Ø70 STEEL, NICKEL PLATED



Code	D	d	A	H	Kg*	Color
820105501	55	M12	75	105	450	Natural
820105502	55	M12	150	180	600	Natural
820107501	70	M16	75	114	1500	Natural
820107502	70	M16	150	189	1500	Natural
820110501	100	M20	125	177	2000	Natural
820110502	100	M20	200	250	2000	Natural
820110503	100	M24	125	181	3000	Natural
820110504	100	M24	200	256	3000	Natural

FE: Mild Steel, Electroless Nickel Plated

* Max.static load (vertical stud).

Optional: Hygienic Seal to provide a protective cover over the ball and socket arrangement. Code 8271.

Supplied as an accessory, not mounted.

Optional: Non Slip Pad, Nitrile Rubber (3mm Thick).

Code 8270. Supplied as an accessory, not mounted.

For certain quantities, if you wish the rubber mounted please ask.

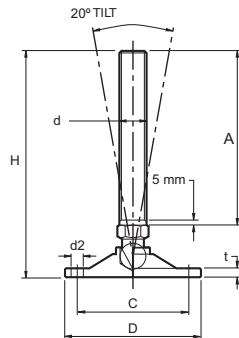


HYGIENIC SEAL



SLIP PAD

8202 FEET Ø100 STEEL, NICKEL PLATED



Code	D	d	A	H	C	d2	t	Kg*	Color
820205501	50	M8	60	82	40	5.5	4	300	Natural
820205502	50	M10	75	97	40	5.5	4	500	Natural
820205503	50	M12	75	100	40	5.5	4	750	Natural
820206501	60	M12	150	175	50	5.5	5	1250	Natural
820208501	80	M16	75	106	68	6.5	6	1750	Natural
820210501	100	M16	125	158	82	9	6.5	2500	Natural
820210502	100	M20	150	189	82	9	6.5	2500	Natural
820212501	120	M20	150	191	100	11	7.5	3750	Natural
820212502	120	M24	150	206	100	11	7.5	3750	Natural

FE: Mild Steel, Electroless Nickel Plated

* Max.static load (vertical stud).

Optional: Hygienic Seal to provide a protective cover over the ball and socket arrangement. Code 8271.

Supplied as an accessory, not mounted.

Optional (only available for Ø100): Non Slip Pad, Nitrile Rubber (3mm Thick). Code 8270.

Supplied as an accessory, not mounted.

For certain quantities, if you wish the rubber mounted please ask.



HYGIENIC SEAL

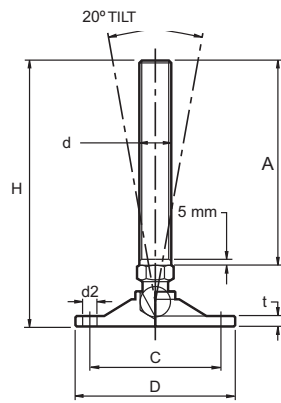


NON SLIP PAD

8203 STAINLESS-STEEL FEET 200



INOX
Stainless
Steel



INOX: Stainless Steel Base and Stud
AISI-303

* Max.static load (vertical stud).

Optional: Hygienic Seal to provide a protective cover over the ball and socket arrangement. Code 8271. Supplied as an accessory, not mounted.

Optional (only available for Ø100): Non Slip Pad, Nitrile Rubber (3mm Thick). Code 8270.

Supplied as an accessory, not mounted.

For certain quantities, if you wish the rubber mounted please ask.

Code	D	d	A	H	C	d2	t	Kg*	Color
820305501	50	M8	60	82	40	5.5	4	300	Natural
820305502	50	M10	75	97	40	5.5	4	500	Natural
820305503	50	M12	75	100	40	5.5	4	750	Natural
820306501	60	M12	150	175	50	5.5	5	1250	Natural
820308501	80	M16	75	106	68	6.5	6	1750	Natural
820310501	100	M16	125	158	82	9	6.5	2500	Natural
820310502	100	M20	150	189	82	9	6.5	2500	Natural
820312501	120	M20	150	191	100	11	7.5	3750	Natural
820312502	120	M24	150	206	100	11	7.5	3750	Natural



HYGIENIC SEAL

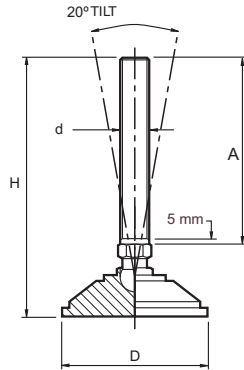


NON SLIP PAD

8205 STAINLESS-STEEL FEET 085



INOX
Stainless
Steel



INOX: 316L Stainless Steel Base and Stud

* Max.static load (vertical stud).

Optional: Hygienic Seal to provide a protective cover over the ball and socket arrangement. Code 8271. Supplied as an accessory, not mounted.

Optional: Non Slip Pad, Nitrile Rubber (3mm Thick). Code 8270.

Supplied as an accessory, not mounted.

For certain quantities, if you wish the rubber mounted please ask.

Code	D	d	A	H	Kg*	Color
820503501	38	M8	60	85	450	Natural
820503502	38	M10	75	100	450	Natural
820505501	55	M12	150	180	1500	Natural
820507501	70	M16	150	189	2000	Natural
820510501	100	M20	150	202	3000	Natural
820510502	100	M24	200	256	4000	Natural



HYGIENIC SEAL

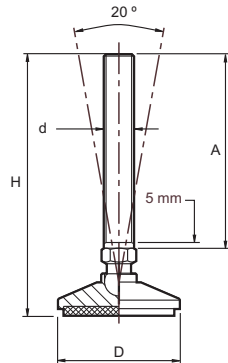


NON SLIP PAD

8206 STAINLESS-STEEL FEET 087



INOX
Stainless
Steel



INOX: Stainless Steel Base and Stud
AISI-303

* Max.static load (vertical stud).

Optional: Hygienic Seal to provide a protective cover over the ball and socket arrangement. Code 8271. Supplied as an accessory, not mounted.

Included: Non Slip Pad, Nitrile Rubber (3mm Thick) bonded to base.

Code	D	d	A	H	Kg*	Color
820605501	55	M12	75	102	750	Natural
820605502	55	M12	125	152	750	Natural
820606501	65	M16	75	108	1250	Natural
820606502	65	M16	125	158	1250	Natural
820607501	75	M20	125	166	1750	Natural
820607502	75	M20	150	191	1750	Natural
820610501	100	M24	125	177	2500	Natural
820610502	100	M24	150	202	2500	Natural

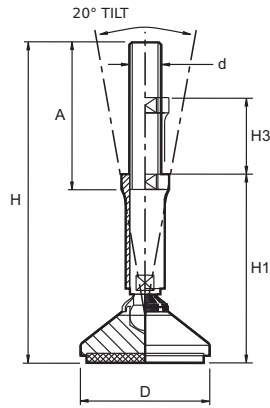


HYGIENIC SEAL

8207 STAINLESS-STEEL FEET 089



INOX
Stainless
Steel



Code	D	d	A	H	H3	H1	Kg*	Color
820705501	55	M12	68	104	25	70	750	Natural
820705502	55	M12	92	154	50	95	750	Natural
820707501	75	M16	68	130	50	75	1750	Natural
820707502	75	M16	92	180	50	100	1750	Natural
820710501	100	M20	68	136	25	85	2500	Natural
820710502	100	M20	92	186	50	110	2500	Natural

INOX: Stainless Steel Base and Stud
AISI-303

* Max.static load (vertical stud).

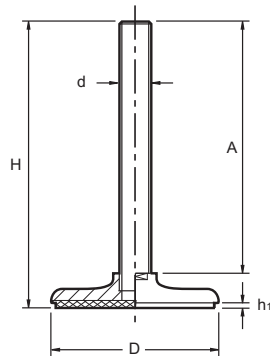
Included: Hygienic Seal to provide a protective cover over the ball and socket arrangement.

Included: Non Slip Pad, Nitrile Rubber (3mm Thick) bonded to base.

8208 STAINLESS-STEEL FEET 300-315



INOX
Stainless
Steel



Code	D	d	A	H	h1	Kg*	Color
820804501	40	M8	40	52	3	450	Natural
820804502	40	M10	60	72	3	600	Natural
820805501	50	M8	60	74	3	450	Natural
820805502	50	M10	80	94	3	600	Natural
820805503	50	M12	50	65	3	750	Natural
820805504	50	M12	100	115	3	750	Natural
820808501	80	M16	150	171	3	2000	Natural
820812501	120	M20	200	224	3	3000	Natural
820815501	150	M24	200	226	3	4000	Natural

INOX: Stainless Steel Base and Stud
AISI-303.

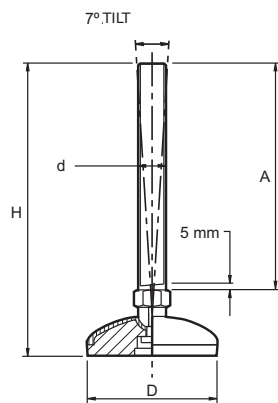
* Max.static load (vertical stud).

Included: Non Slip Pad, Nitrile Rubber (3mm Thick) bonded to base.

8220-1 STAINLESS-STEEL FEET 105



INOX
Stainless
Steel



Code	D	d	A	H	Kg*	Color
822051105	50	M10	50	75	350	Natural
822051310	50	M12	100	125	350	Natural
822051710	50	M16	100	128	350	Natural
822071710	75	M16	100	133	750	Natural
822072110	75	M20	150	185	750	Natural
822101710	100	M16	100	138	1000	Natural
822102115	100	M20	150	191	1000	Natural
822102515	100	M24	150	193	1000	Natural

INOX: Stainless Steel Base and Stud
AISI-303.

* Max.static load (vertical stud).

Optional: Hygienic Seal to provide a protective cover over the ball and socket arrangement. Code 8271. Supplied as an accessory, not mounted.

Included: Non Slip Pad, Nitrile Rubber bonded to base.

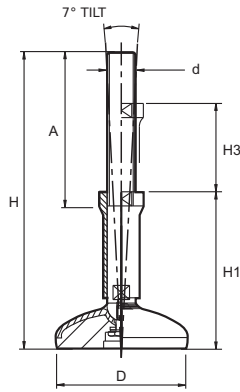


HYGIENIC SEAL

8222 STAINLESS-STEEL FEET 125



INOX
Stainless
Steel



Code	D	d	A	H	H1	H3	Kg*	Color
822205501	50	M12	68	104	70	25	350	Natural
822205502	50	M12	92	154	95	50	350	Natural
822207501	75	M16	68	130	75	50	750	Natural
822207502	75	M16	92	180	100	50	750	Natural
822210501	100	M20	68	136	85	25	1000	Natural
822210502	100	M20	92	186	110	50	1000	Natural

INOX: Stainless Steel Base and Stud
AISI-303

* Max.static load (vertical stud).

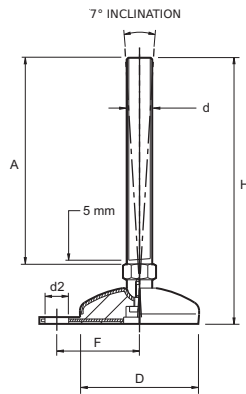
Included: Hygienic Seal to provide a protective cover over the ball and socket arrangement.

Included: Non Slip Pad, Nitrile Rubber bonded to base.

8250 STAINLESS-STEEL FEET 205



INOX
Stainless
Steel



Code	D	d	A	H	F	d2	Kg*	Color
825071710	75	M16	100	133	52	13	750	Natural
825071810	75	M16	150	183	52	13	750	Natural
825072115	75	M20	150	185	52	13	750	Natural
825091710	100	M16	100	138	67	13	1000	Natural
825092115	100	M20	150	191	67	13	1000	Natural
825092515	100	M24	150	193	67	13	1000	Natural



HYGIENIC SEAL

INOX: Stainless Steel Base and Stud
AISI-303

* Max.static load (vertical stud).

Optional: Hygienic Seal to provide a protective cover over the ball and socket arrangement. Code 8271.

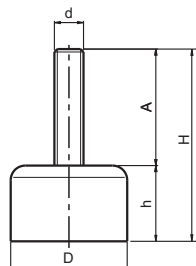
Supplied as an accessory, not mounted.

Included: Non Slip Pad, Nitrile Rubber bonded to base.

8260 RUBBER FEET B WITH SS STUD



INOX
Stainless
Steel



Code	D	h	d	A	H	Kg*	Color
826010602	20	13	M6	20	33	10	Natural
826020802	25	14	M8	20	34	15	Natural
826031003	30	16	M10	25	41	25	Natural
826031005	30	16	M10	50	66	25	Natural
826041204	40	20	M12	40	60	65	Natural
826041207	40	20	M12	70	90	65	Natural
826051204	50	20	M12	40	60	90	Natural

RUBBER: NBR 605 Shore.

* Max.static load (vertical stud).

Stainless steel bolt embedded in black rubber conforming with FDA

Suitable for light equipment standing on smooth surfaces.

8270 NON-SLIP PAD



Code	D (Diameter Base)	Material	Color
827045001	100	Nitrile	Black
827045002	100 (with holes)	Nitrile	Black
827045003	70	Nitrile	Black
827045004	55	Nitrile	Black
827045005	38	Nitrile	Black

Choose for the appropriate diameter base.
All the parts are without holes except code 827045002.

8271 HYGIENIC SEAL



Code	d	Material	Color
827146001	M24	Rubber	Black
827146002	M20	Rubber	Black
827146003	M16	Rubber	Black
827146004	M12	Rubber	Black
827146021	M12	Plastic	Black
827146022	M16	Plastic	Black
827146023	M20	Plastic	Black
827146024	M24	Plastic	Black

Choose the right model for your thread dimension.
The rubber hygienic seal works with models:
8201,8202,8203,8205,8206.
The plastic hygienic seal works with models: 8220, 8250.
Provide a protective cover over the ball and socket arrangement
helping prevent the ingress of contaminants into this inaccessible area.

For a copy of our new catalogue of
Conveyor Components
Please ask us or visit our web site
www.tecnodin.com

