

ATLANTIS

TWÓJ DOSTAWCA ELEMENTÓW PRZENIESIENIA NAPĘDU



KATALOG
Części maszyn



INDEX

D.O.M. TENSIONER RANGE	Page 3
C-R.E.S.A. STEEL TENSIONER	Page 4 - 7
CIAO PLASTIC TENSIONER	Page 4 - 7
BLU PLASTIC TENSIONER	Page 8 - 10
BLUD PLASTIC TENSIONER	Page 11 - 13
TEN JOY TENSIONER	Page 14 - 15
ARCO TENSIONER	Page 16 - 18
TEN BLOC TENSIONER (with Sprocket)	Page 19
TEN BLOC TENSIONER (with Polyethylene Slide Block)	Page 20
MIX TENSIONER	Page 21
ASSO TENSIONER	Page 22
INTERCHANGE CHART	Page 23



All descriptions and dimensions as published are believed to be correct, but subject to the possibility of printing errors. The right is reserved by us or our suppliers to alter or modify dimensions or designs without notice.



C-R.E.S.A. Metal Tensioner



CIAO Plastic Tensioner



BLU Tensioner



BLUD Tensioner



MIX Tensioner



TEN JOY Tensioner



ARCO Tensioner



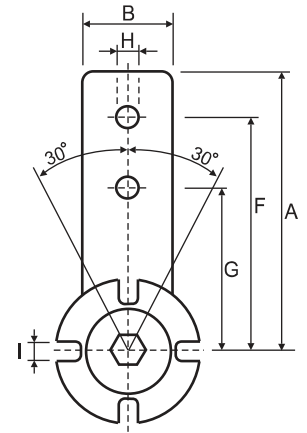
ASSO Tensioner



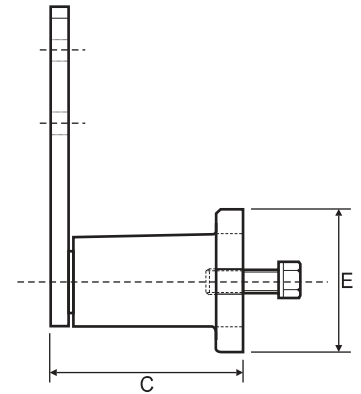
TEN BLOC Tensioner

C-R.E.S.A. STEEL TENSIONER ARM

The C-R.E.S.A. Steel Tensioner Arm is highly elastic and has a great ability to absorb shocks, knocks, vibrations and oscillations. This is produced by four rubber cushions hidden inside the unit. The tensioner arm can reach an angle of 30° in either a clockwise or an anti-clockwise rotation. The tensioner can be fitted with a variety of different accessories including Sprockets or Polyethylene Slide Blocks to suit British Standard simple, duplex and triplex chain, and Rollers in zinc plated steel or plastic. C-R.E.S.A. is manufactured in steel and has a maximum operating temperature of +80°C.



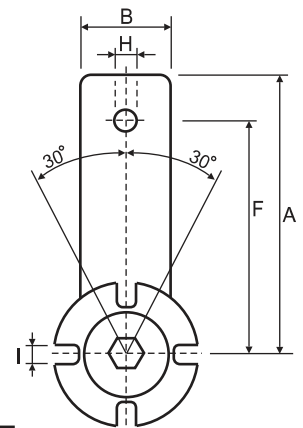
Part No.	A	B	C	E	F	G	H	I	Newton 0-30°
T211RE10	90.0	25.0	50.0	40.0	80.0	60.0	8.5	7.0	0-100
T315RE20	112.5	30.0	62.0	50.0	100.0	80.0	10.5	9.0	0-150
T418RE30	115.0	35.0	76.0	60.0	100.0	80.0	10.5	9.0	0-340
T527RE40	155.0	50.0	105.0	80.0	130.0	100.0	12.5	11.0	0-850
T638RE50	205.0	65.0	136.0	100.0	175.0	140.0	20.5	13.0	0-1600
T745RE60	255.0	80.0	196.0	120.0	220.0	180.0	20.5	13.0	0-2500
T850RE70	290.0	90.0	210.0	130.0	250.0	200.0	20.5	17.0	0-4950



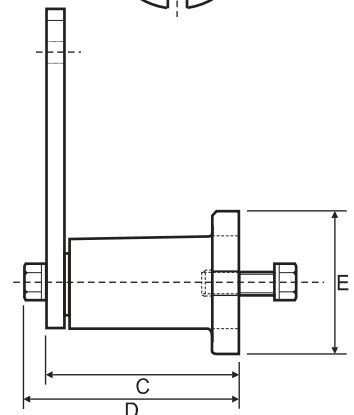
CIAO PLASTIC TENSIONER ARM*

*PATENTED

The CIAO Plastic Tensioner Arm is highly elastic and has a great ability to absorb shocks, knocks, vibrations and oscillations. This is produced by four rubber cushions hidden inside the unit. The tensioner arm can reach an angle of 30° in either a clockwise or an anti-clockwise rotation. The tensioner can be fitted with a variety of different accessories including British Standard simple Sprockets made of stainless steel or plastic, Polyethylene Slide Blocks to suit simple, duplex and triplex chain and Rollers in stainless steel and plastic with cover shields. The CIAO is manufactured in plastic with stainless steel bolts, and has a maximum operating temperature of +80°C.

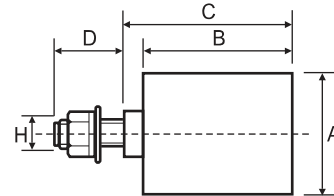


Part No.	A	B	C	D	E	F	H	I	Newton 0-30°
T211PXR10	90.0	24.0	52.0	60.0	40.0	80.0	8.5	7.0	0 - 100
T315PXR20	112.5	30.0	65.0	74.0	50.0	100.0	10.5	9.0	0 - 150
T418PXR30	115.0	36.0	78.0	88.0	60.0	100.0	10.5	9.0	0 - 340
T527PXR40	155.0	50.0	107.0	118.0	80.0	130.0	12.5	11.0	0 - 850



C-R.E.S.A. TENSIONER ROLLER KIT

There are two different types of rollers that are available to suit the C-R.E.S.A., steel and plastic (polyamide). The steel rollers are zinc plated for longer life and both rollers are fitted with greased bearings. The steel rollers can be used in temperatures up to +100°C while the plastic rollers may only be used up to +70°C. By changing the bolts size on this roller it can be used on many of the D.O.M. tensioners.

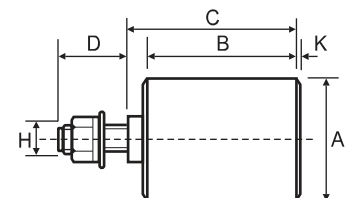


Part No.	A	B	C	D	H	To Suit
RP1, RU1	30.0	35.0	38.0	13.0	M8	T211RE 10
RP2/3, RU2/3	40.0	45.0	51.0	16.0	M10	T315RE 20 T418RE 30
RP4	60.0	60.0	68.0	21.0	M12	T527RE 40
RU4	60.0	60.0	68.0	21.0	M16	T527RE 40
RP5, RU5	80.0	90.0	99.0	28.0	M20	T638RE 50
RP6, RU6	90.0	135.0	142.0	27.0	M20	T745RE 60

RP - Polyamide Roller
RU - Zinc Plated Steel Roller

CIAO TENSIONER ROLLER KIT WITH SHIELDS

There are two different types of rollers that are available to suit the CIAO, stainless steel and plastic (polyamide). Both rollers are suitable for use in the food industry or in other applications where environmental issues require high grade materials. The rollers are fitted with greased bearings with cover shields. The stainless steel rollers can be used in temperatures up to +100°C while the plastic rollers may only be used up to +70°C. By changing the bolts size on this roller it can be used on many of the D.O.M. tensioners.



Part No.	A	B	C	D	H	K	To Suit
XRP1, XRU1	30.0	35.0	38.0	13.0	M8	2.0	T211PX10
XRP2/3 XRU2/3	40.0	45.0	51.0	16.0	M10	2.0	T315PX20 T418PX30
XRP4	60.0	60.0	68.0	21.0	M12	2.0	T527PX40
XRU4	60.0	60.0	68.0	21.0	M16	4.0	T527PX40

XRP - Polyamide Roller
XRU - Stainless Steel Roller

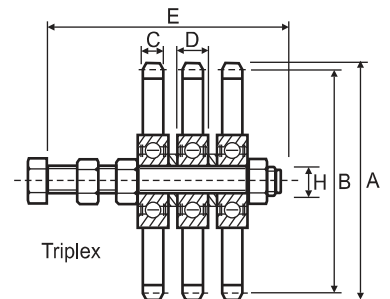
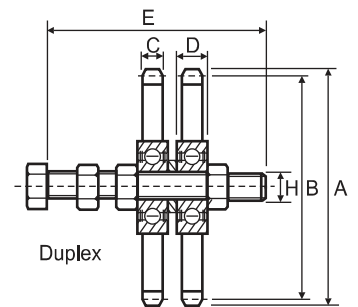
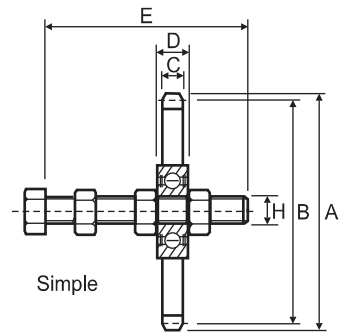
ARM TENSIONER SPROCKETS

Sprockets to suit the C-R.E.S.A. are manufactured in steel and are zinc plated. They are available to suit British Standard simple, duplex and triplex chains. The assembly is supplied with a bearing and bolt set. They can be used at speeds up to 60m/min and temperatures up to +100°C.



Sprockets to suit the CIAO are available in plastic and stainless steel to suit British Standard simple chains. Assemblies are supplied with a bearing and stainless steel bolt set. These assemblies can be used at speeds up to 60m/min and temperatures up to +100°C.

Part No.	Z	Chain	A	B	C	D	E	H	To Suit Arm
C-R.E.S.A. (with steel nuts and bolts)									
<i>Simple - Zinc Plated Steel</i>									
ZK20-1S	15	06B-1	49.3	45.8	5.3	9.0	55.0	M10	T315RE20
ZK30-1S	15	06B-1	49.3	45.8	5.3	9.0	55.0	M10	T418RE30
ZK30-2S	15	08B-1	65.5	61.1	7.2	9.0	55.0	M10	T418RE30
ZK40-3S	15	10B-1	83.0	76.4	9.1	12.0	80.0	M12	T527RE40
ZK40-4S	15	12B-1	99.8	91.6	11.1	12.0	80.0	M12	T527RE40
ZK50-4S	15	12B-1	99.8	91.6	11.1	15.0	100.0	M20	T638RE50
ZK50-5S	13	16B-1	117.0	106.1	16.2	15.0	100.0	M20	T638RE50
ZK60-6S	13	20B-1	147.8	132.7	18.5	15.0	100.0	M20	T745RE60
ZK60-7S	11	24B-1	150.0	135.2	24.1	15.0	140.0	M20	T745RE60
<i>Duplex - Zinc Plated Steel</i>									
ZK20-1D	15	06B-2	49.3	45.8	5.3	9.0	55.0	M10	T315RE20
ZK30-1D	15	06B-2	49.3	45.8	5.3	9.0	60.0	M10	T418RE30
ZK30-2D	15	08B-2	65.5	61.1	7.2	9.0	60.0	M10	T418RE30
ZK40-3D	15	10B-2	83.0	76.4	9.1	12.0	80.0	M12	T527RE40
ZK40-4D	15	12B-2	99.8	91.6	11.1	12.0	80.0	M12	T527RE40
ZK50-4D	15	12B-2	99.8	91.6	11.1	15.0	120.0	M20	T638RE50
ZK50-5D	13	16B-2	117.0	106.1	16.2	15.0	120.0	M20	T638RE50
ZK60-6D	13	20B-2	147.8	132.7	18.5	15.0	140.0	M20	T745RE60
ZK60-7D	11	24B-2	150.0	135.2	24.1	15.0	140.0	M20	T745RE60
<i>Triplex - Zinc Plated Steel</i>									
ZK30-1T	15	06B-3	49.3	45.8	5.3	9.0	70.0	M10	T418RE30
ZK40-2T	15	08B-3	65.5	61.1	7.2	12.0	80.0	M12	T527RE40
ZK40-3T	15	10B-3	83.0	76.4	9.1	12.0	80.0	M12	T527RE40
ZK50-3T	15	10B-3	83.0	76.4	9.1	15.0	120.0	M20	T638RE50
ZK50-4T	15	12B-3	99.8	91.6	11.1	15.0	120.0	M20	T638RE50
ZK60-5T	13	16B-3	117.0	106.1	16.2	15.0	160.0	M20	T745RE60
ZK60-6T	13	20B-3	147.8	132.7	18.5	15.0	160.0	M20	T745RE60
ZK60-7T	11	24B-3	150.0	135.2	24.1	15.0	180.0	M20	T745RE60
CIAO (with stainless steel nuts and bolts)									
<i>Simple - Plastic</i>									
XZN20-1S	21	06B-1	68.0	63.9	5.3	18.0	55.0	M10	T315PX20
XZN30-1S	21	06B-1	68.0	63.9	5.3	18.0	55.0	M10	T418PX30
XZN30-2S	18	08B-1	77.8	73.1	7.2	18.0	55.0	M10	T418PX30
XZN30-3S	17	10B-1	93.0	86.4	9.1	18.0	55.0	M10	T418PX30
XZN40-3S	17	10B-1	93.0	86.4	9.1	18.0	80.0	M12	T527PX40
<i>Simple - Stainless Steel</i>									
XZK20-1S	15	06B-1	49.3	45.8	5.3	9.0	55.0	M10	T315PX20
XZK30-1S	15	06B-1	49.3	45.8	5.3	9.0	55.0	M10	T418PX30
XZK30-2S	15	08B-1	65.5	61.1	7.2	9.0	55.0	M10	T418PX30
XZK40-3S	15	10B-1	83.0	76.4	9.1	12.0	80.0	M12	T527PX40
XZK40-4S	15	12B-1	99.8	91.6	11.1	12.0	80.0	M12	T527PX40
XZK40-5S	13	16B-1	117.0	106.1	16.2	15.0	100.0	M12	T527PX40



Z = No. of teeth

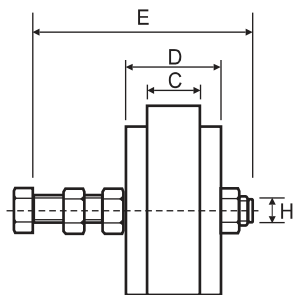


ARM TENSIONER SLIDE BLOCK

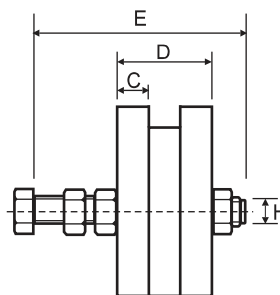
The slide blocks may be used with both the C-R.E.S.A. and CIAO. It is available for use with British Standard simple, duplex and triplex chains. The Polyethylene Slide Block is normally used in slower speed applications and has an operating speed range up to 20m/min and a maximum working temperature of +70°C. When used with the CIAO the part number changes and the standard bolts are replaced with stainless steel.



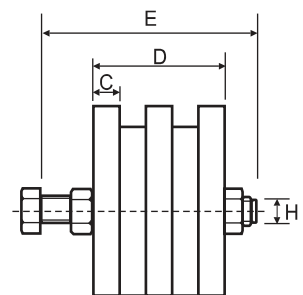
Part No. C-R.E.S.A	Part No. CIAO	Chain	C	D	E	H	R	Suit Arm C-R.E.S.A	Suit Arm CIAO
<i>Simple</i>									
VR10-0S	XVR10-0S	05B-1	2.5	10.0	45.0	M10	35.0	T211RE 10	T211PX10
VR10-1S	XVR10-1S	06B-1	5.0	10.0	45.0	M10	35.0	T211RE 10	T211PX10
VR20-2S	XVR20-2S	08B-1	7.0	14.0	55.0	M10	35.0	T315RE 20	T315PX20
VR30-2S	XVR30-2S	08B-1	7.0	14.0	55.0	M10	35.0	T418RE 30	T418PX30
VR30-3S	XVR30-3S	10B-1	9.0	16.5	55.0	M10	45.0	T418RE 30	T418PX30
VR30-4S	XVR30-4S	12B-1	11.0	17.5	60.0	M10	45.0	T418RE 30	T418PX30
VR40-4S	XVR40-4S	12B-1	11.0	17.5	80.0	M12	45.0	T527RE 40	T527PX40
VR40-5S	XVR40-5S	16B-1	16.0	18.0	80.0	M12	55.0	T527RE 40	T527PX40
VR50-6S		20B-1	18.0	20.0	100.0	M20	55.0	T638RE 50	
VR50-7S		24B-1	24.0	24.0	100.0	M20	55.0	T638RE 50	
<i>Duplex</i>									
VR10-1D	XVR10-1D	06B-2	5.0	18.0	45.0	M10	35.0	T211RE 10	T211PX10
VR20-2D	XVR20-2D	08B-2	7.0	20.5	55.0	M10	35.0	T315RE 20	T315PX20
VR30-2D	XVR30-2D	08B-2	7.0	20.5	60.0	M10	35.0	T418RE 30	T418PX30
VR30-3D	XVR30-3D	10B-2	9.0	25.0	70.0	M10	45.0	T418RE 30	T418PX30
VR40-4D	XVR40-4D	12B-2	11.0	30.0	80.0	M12	45.0	T527RE 40	T527PX40
VR40-5D	XVR40-5D	16B-2	16.0	47.0	90.0	M12	55.0	T527RE 40	T527PX40
VR50-5D		16B-2	16.0	47.0	100.0	M20	55.0	T638RE 50	
<i>Triplex</i>									
VR20-1T	XVR20-1T	06B-3	5.0	25.0	55.0	M10	35.0	T315RE 20	T315PX20
VR30-2T	XVR30-2T	08B-3	7.0	34.0	70.0	M10	35.0	T418RE 30	T418PX30
VR40-3T	XVR40-3T	10B-3	9.0	42.0	100.0	M12	45.0	T527RE 40	T527PX40
VR40-4T	XVR40-4T	12B-3	11.0	49.0	100.0	M12	45.0	T527RE 40	T527PX40
VR40-5T	XVR40-5T	16B-3	16.0	79.5	100.0	M12	55.0	T527RE 40	T527PX40
VR50-5T		16B-3	16.0	79.5	120.0	M20	55.0	T638RE 50	



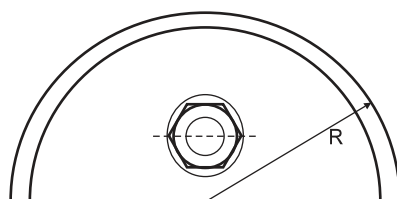
Simple



Duplex



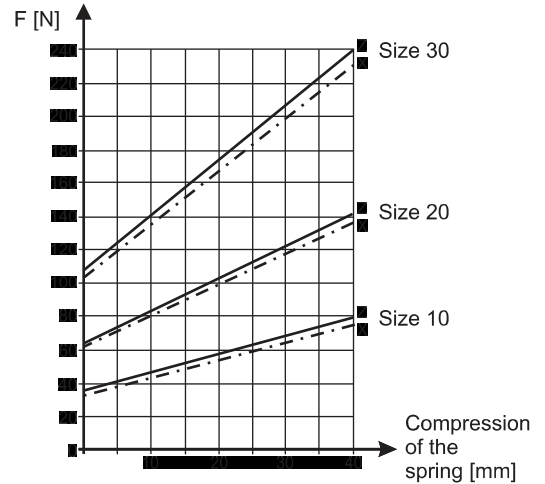
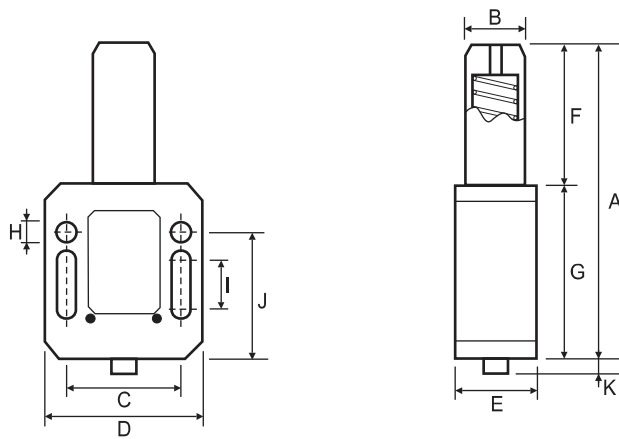
Triplex



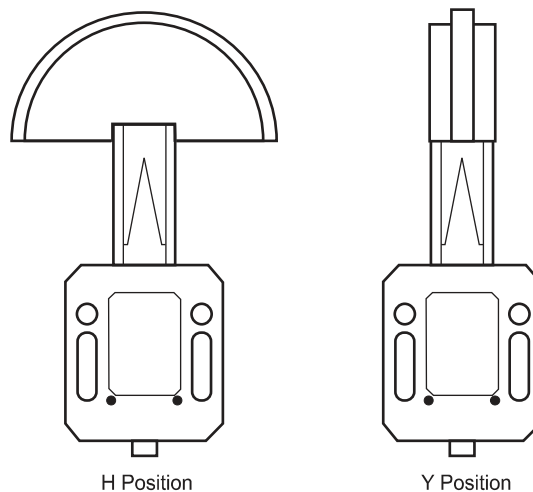
BLU TENSIONER*

*PATENTED

The BLU Tensioner is manufactured in plastic and uses stainless steel screws. The internal spring is available in zinc plated steel or stainless steel. Maximum operating temperature is +80°C. All bodies are supplied with a preloading system to allow the unit to be bolted into position and then release the tension. The tensioner can be fitted with a variety of different accessories including Sprockets or Polyethylene Slide Blocks to suit British Standard simple and duplex chain, and Rollers in zinc plated steel and plastic. The stroke length of the BLU is 40mm. Unless specified, the BLU tensioner will be assembled in the H position.

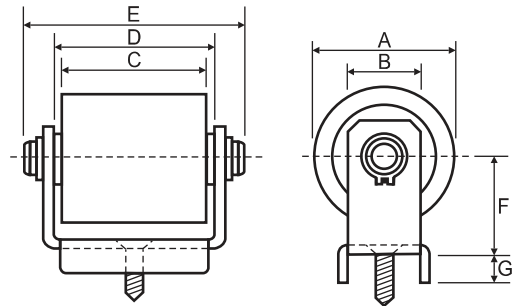


Part No.	A	B	C	D	E	F	G	H	I	J	K	Newton
<i>Spring in zinc plated steel</i>												
BL 10-6 Z	105.0	20.0	38.0	52.0	27.0	47.0	58.0	6.5	16.5	42.0	5.0	36-79
BL 20-6 Z	105.0	20.0	38.0	52.0	27.0	47.0	58.0	6.5	16.5	42.0	5.0	64-142
BL 30-6 Z	105.0	20.0	38.0	52.0	27.0	47.0	58.0	6.5	16.5	42.0	5.0	108-239
<i>Spring in stainless steel</i>												
BL 10-6 X	105.0	20.0	38.0	52.0	27.0	47.0	58.0	6.5	16.5	42.0	5.0	35-77
BL 20-6 X	105.0	20.0	38.0	52.0	27.0	47.0	58.0	6.5	16.5	42.0	5.0	63-139
BL 30-6 X	105.0	20.0	38.0	52.0	27.0	47.0	58.0	6.5	16.5	42.0	5.0	105-233



BLU TENSIONER ROLLER KIT

The BLU Tensioner Roller Kit consists of a steel fork with a centrally located roller. The rollers are available in plastic (polyamide) or in zinc plated steel, and are fitted with greased bearings. The steel rollers can be used in temperatures up to +80°C while the plastic rollers may only be used up to +70°C.

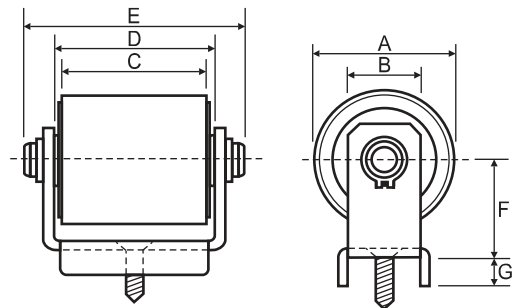


Part No.	A	B	C	D	E	F	G	To Suit
FP1 / FU1	30.0	20.0	35.0	45.0	60.0	23.0	8.0	BL 10 & BL 20
FP2/3, FU2/3	40.0	20.0	45.0	52.0	66.0	28.0	8.0	BL 20 & BL 30

FP - Polyamide Roller
FU - Zinc Plated Steel Roller

BLU TENSIONER ROLLER KIT WITH SHIELDS

The BLU Tensioner Roller Kit with Shields consists of a stainless steel fork with a centrally located roller. The rollers are available in plastic (polyamide) or in stainless steel, and are fitted with greased bearings with cover shields. Both rollers are suitable for use in the food industry or in other applications where environmental issues require high grade material. The steel rollers can be used in temperatures up to +80°C while the plastic rollers may only be used up to +70°C.

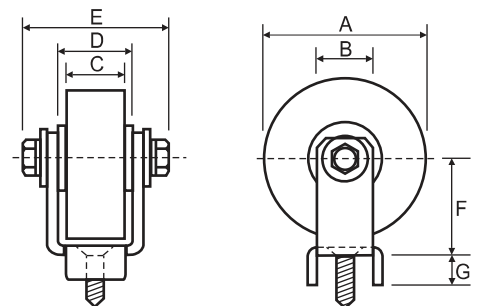


Part No.	A	B	C	D	E	F	G	To Suit
FPX1 / FUX1	30.0	20.0	35.0	45.0	54.0	23.0	8.0	BL 10 & BL 20
FPX2/3, FUX2/3	40.0	20.0	45.0	52.0	72.0	28.0	8.0	BL 20 & BL 30

FPX - Polyamide Roller
FUX - Stainless Steel Roller

BLU TENSIONER ROLLER KITS FOR SPECIAL APPLICATIONS

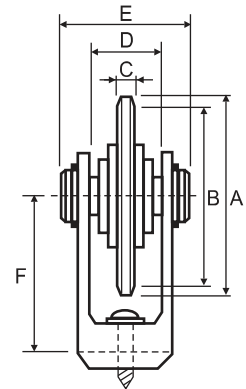
The FG roller is ideal for special applications such as narrow timing belts. The polyamide roller is fitted with small bearings, allowing the roller to be machined to suit V, O-ring or flat belts.



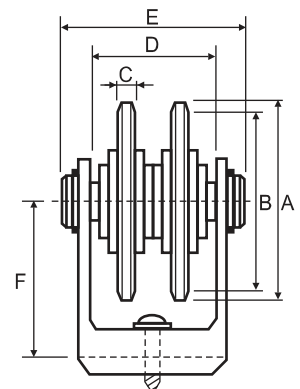
Part No.	A	B	C	D	E	F	G	To Suit
FGA	55.0	20.0	20.0	25.0	45.0	34.0	8.0	BL 10 & BL 20
FGB	55.0	20.0	30.0	35.0	55.0	34.0	8.0	BL 20 & BL 30
FGC	55.0	20.0	40.0	45.0	65.0	34.0	8.0	BL 30

BLU TENSIONER SPROCKET

The BLU Tensioner Sprocket consists of an aluminium fork with a centrally located sprocket to suit British Standard simple or duplex chain. The sprocket is zinc plated steel installed with an enlarged bearing, and is equipped with a stainless steel screw. Maximum operating speed is 60m/min. Maximum operating temperature of the sprocket is +80°C.



Simple



Duplex

Part No.	Z	Chain	A	B	C	D	E	F	To Suit
<i>Simple</i>									
FN20-1S-21	21	06B-1	67.0	63.9	5.3	19.0	39.0	53.5	BL20 & BL30
FN30-2S-16	16	08B-1	69.0	65.1	7.2	19.0	39.0	53.5	BL30
FN30-2S-18	18	08B-1	77.8	73.1	7.2	19.0	39.0	53.5	BL30
FN30-3S-14	14	10B-1	78.0	71.3	9.1	19.0	44.0	63.5	BL30
FN30-3S-17	17	10B-1	93.0	86.4	9.1	19.0	44.0	63.5	BL30
<i>Duplex</i>									
FN30-1D-21	21	06B-2	68.0	63.9	5.3	37.0	60.0	53.5	BL30

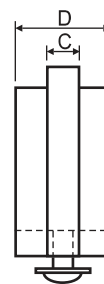
Z = No. of teeth

BLU TENSIONER SLIDE BLOCK

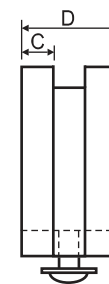
The BLU Tensioner Slide Block consists of a polyethylene slide block and a stainless steel screw. It is available for British Standard simple, duplex and triplex chains. The 'U' style slide block can be used for chain up to 15mm wide. Maximum operating temperature of the sliding block is +70°C, and is suitable for use in the outside environment.



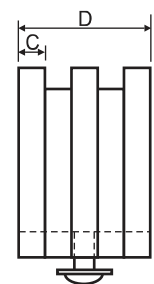
Part No.	Chain	A	C	D	E	R	To Suit
<i>Simple</i>							
VF1S	06B-1	20.0	5.0	20.0		37.5	BL10 & BL20
VF2S	08B-1	20.0	7.0	20.0		37.5	BL20 & BL30
VF3S	10B-1	20.0	9.0	20.0		40.0	BL20 & BL30
VF4S	12B-1	20.0	11.0	20.0		40.0	BL30
<i>U Profile</i>							
VF1U	06B-1	20.0		20.0	15.0	37.5	BL10 & BL20
<i>Duplex</i>							
VF1D	06B-2	20.0	5.0	20.0		37.5	BL10 & BL20
VF2D	08B-2	20.0	7.0	20.0		37.5	BL20 & BL30
VF3D	10B-2	20.0	9.0	25.0		40.0	BL30
<i>Triplex</i>							
VF1T	06B-3	20.0	5.0	25.0		37.5	BL20 & BL30



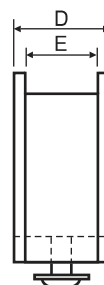
Simple



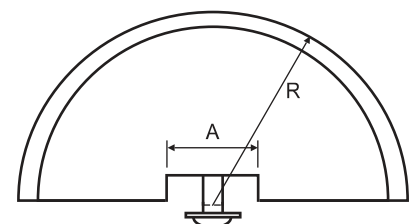
Duplex



Triplex

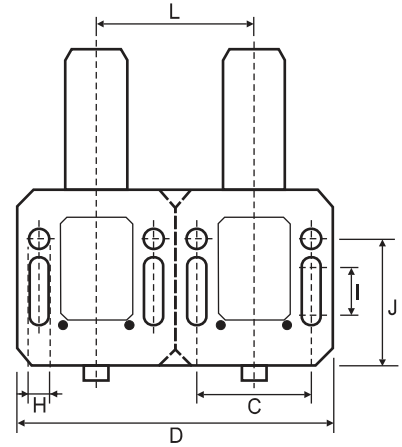


U Profile

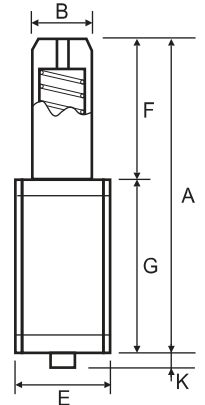


BLUD TENSIONER (Standard Bracket Type)

The BLUD Plastic Tensioner with standard bracket allows for compact installation in tight applications. The BLUD is manufactured in plastic and uses stainless steel screws with the bracket also manufactured in stainless steel. The internal spring is available in zinc plated steel or stainless steel. Maximum operating temperature is +80°C. All bodies are supplied with a preloading system to allow the unit to be bolted into position and then release the tension. The tensioner can be fitted with a variety of different accessories including Polyethylene Slide Blocks to suit British Standard simple, duplex and triplex chain, and Rollers in zinc plated steel and plastic. The stroke length of the BLUD is 40mm.

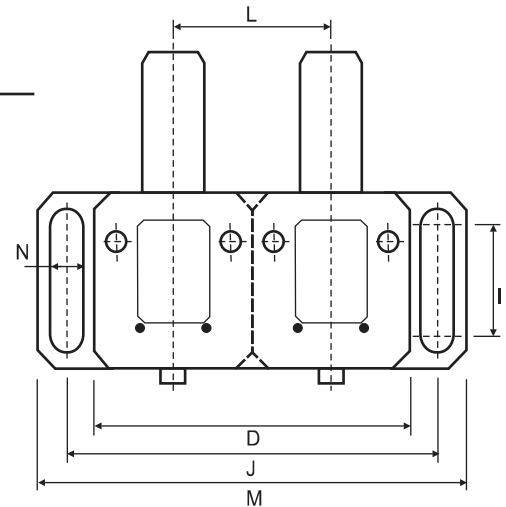


Part No.	A	B	C	D	E	F	G	H	I	J	K	L	Newton
<i>Spring in zinc plated steel</i>													
BD 2.10-6 Z	105.0	20.0	38.0	104.0	31.0	47.0	58.0	6.5	16.5	42.0	5.0	52.0	72-158
BD 2.20-6 Z	105.0	20.0	38.0	104.0	31.0	47.0	58.0	6.5	16.5	42.0	5.0	52.0	128-284
BD 2.30-6 Z	105.0	20.0	38.0	104.0	31.0	47.0	58.0	6.5	16.5	42.0	5.0	52.0	216-478
<i>Spring in stainless steel</i>													
BD 2.10-6 X	105.0	20.0	38.0	104.0	31.0	47.0	58.0	6.5	16.5	42.0	5.0	52.0	70-154
BD 2.20-6 X	105.0	20.0	38.0	104.0	31.0	47.0	58.0	6.5	16.5	42.0	5.0	52.0	126-278
BD 2.30-6 X	105.0	20.0	38.0	104.0	31.0	47.0	58.0	6.5	16.5	42.0	5.0	52.0	210-466

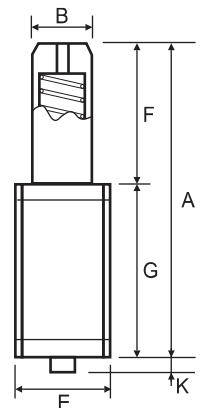


BLUD TENSIONER (Extended Bracket Type)

The BLUD Plastic Tensioner with extended bracket is ideal for narrow installations. The BLUD is manufactured in plastic and uses stainless steel screws with the bracket also manufactured in stainless steel. The internal spring is available in zinc plated steel or stainless steel. Maximum operating temperature is +80°C. All bodies are supplied with a preloading system to allow the unit to be bolted into position and then release the tension. An array of different accessories can be used including Polyethylene Slide Blocks to suit British Standard simple, duplex and triplex chain, and Rollers in zinc plated steel and plastic. The stroke length of the BLUD is 40mm.

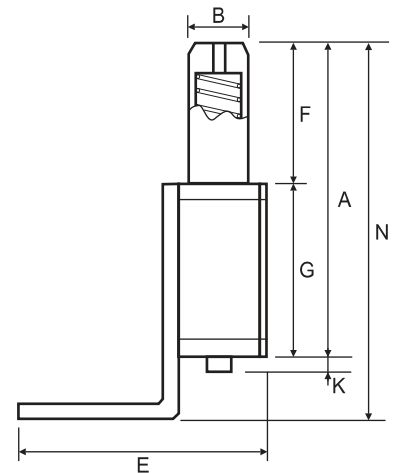
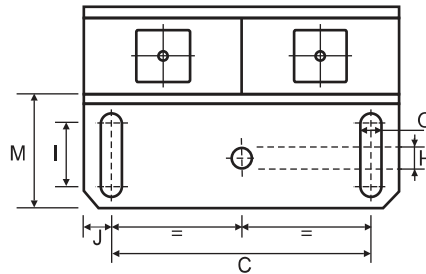
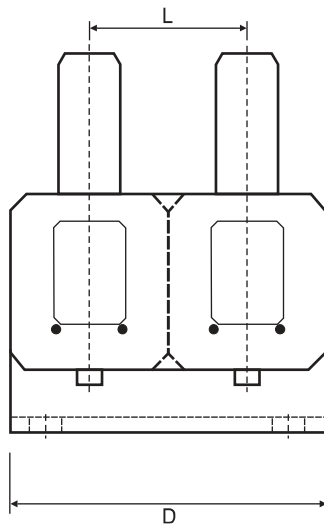


Part No.	A	B	D	E	F	G	I	J	K	L	M	N	Newton
<i>Spring in zinc plated steel</i>													
BF 2.10-6 Z	105.0	20.0	104.0	31.0	47.0	58.0	40.0	124.0	5.0	52.0	144.0	10.5	72-158
BF 2.20-6 Z	105.0	20.0	104.0	31.0	47.0	58.0	40.0	124.0	5.0	52.0	144.0	10.5	128-284
BF 2.30-6 Z	105.0	20.0	104.0	31.0	47.0	58.0	40.0	124.0	5.0	52.0	144.0	10.5	216-478
<i>Spring in stainless steel</i>													
BF 2.10-6 X	105.0	20.0	104.0	31.0	47.0	58.0	40.0	124.0	5.0	52.0	144.0	10.5	70-154
BF 2.20-6 X	105.0	20.0	104.0	31.0	47.0	58.0	40.0	124.0	5.0	52.0	144.0	10.5	126-278
BF 2.30-6 X	105.0	20.0	104.0	31.0	47.0	58.0	40.0	124.0	5.0	52.0	144.0	10.5	210-466



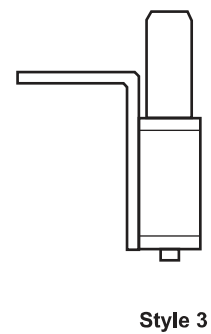
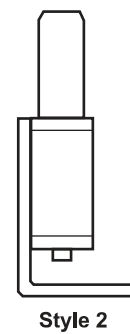
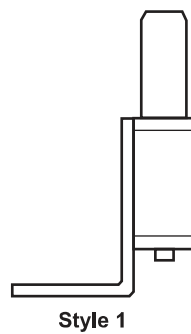
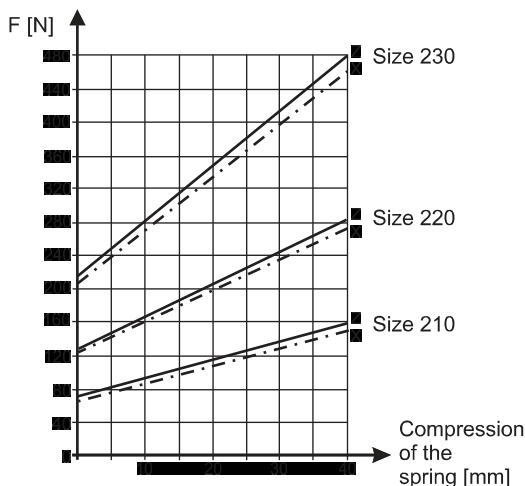
BLUD TENSIONER (L-Shaped Bracket Type)

The BLUD Plastic Tensioner with the L shaped bracket is completely versatile, allowing for 3 different mounting positions. The BLUD is manufactured in plastic and uses stainless steel screws with the bracket also manufactured in stainless steel. The internal spring is available in zinc plated steel or stainless steel. Maximum operating temperature is +80°C. All bodies are supplied with a preloading system to allow the unit to be bolted into position and then release the tension. The tensioner can be fitted with a variety of different accessories including Polyethylene Slide Blocks to suit British Standard simple and duplex chain, and Rollers in zinc plated steel and plastic. The stroke length of the BLUD is 40mm.



Part No.	A	B	C	D	E	F	G	H	I	J	K	L	M	N*	O	Newton
<i>Spring in zinc plated steel</i>																
BA 2.10-6 Z	105.0	20.0	80.0	104.0	73.0	47.0	58.0	6.5	20.0	12.0	5.0	52.0	44.0	125.0	10.5	72-158
BA 2.20-6 Z	105.0	20.0	80.0	104.0	73.0	47.0	58.0	6.5	20.0	12.0	5.0	52.0	44.0	125.0	10.5	128-284
BA 2.30-6 Z	105.0	20.0	80.0	104.0	73.0	47.0	58.0	6.5	20.0	12.0	5.0	52.0	44.0	125.0	10.5	216-478
<i>Spring in stainless steel</i>																
BA 2.10-6 X	105.0	20.0	80.0	104.0	73.0	47.0	58.0	6.5	20.0	12.0	5.0	52.0	44.0	125.0	10.5	70-154
BA 2.20-6 X	105.0	20.0	80.0	104.0	73.0	47.0	58.0	6.5	20.0	12.0	5.0	52.0	44.0	125.0	10.5	126-278
BA 2.30-6 X	105.0	20.0	80.0	104.0	73.0	47.0	58.0	6.5	20.0	12.0	5.0	52.0	44.0	125.0	10.5	210-466

* N Dimension for Styles 1 and 2 only

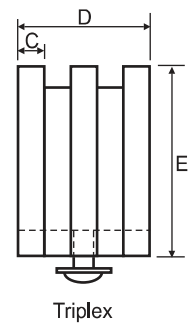
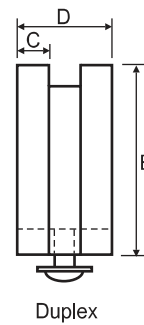
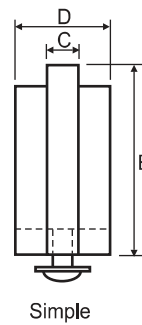
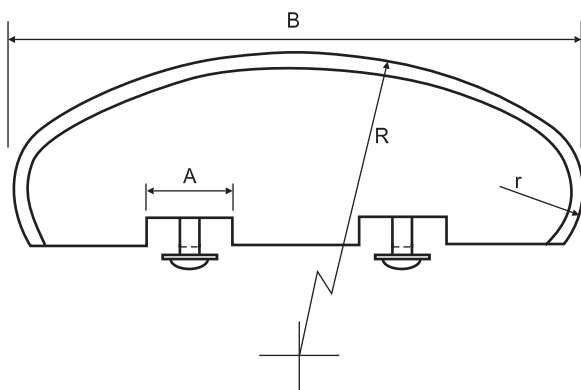


BLUD TENSIONER SLIDE BLOCK

The BLUD Tensioner Slide Block is designed for longer center distances and consists of a polyethylene sliding block and a stainless steel screw. It is available for British Standard simple, duplex and triplex chains. Maximum operating temperature of the sliding block is +70°C, and is suitable for use in the outside environment.



Part No.	Chain	A	B	C	D	E	R	r	To Suit BLUD
<i>Simple</i>									
VG2.10-0S	05B-1	21.0	140.0	2.5	20.0	46.5	120.0	20.0	10
VG2.20-1S	06B-1	21.0	140.0	5.0	20.0	46.5	120.0	20.0	10 & 20
VG2.20-2S	08B-1	21.0	140.0	7.0	20.0	46.5	120.0	20.0	20
VG2.20-3S	10B-1	21.0	140.0	9.0	20.0	46.5	140.0	20.0	20 & 30
VG2.30-4S	12B-1	21.0	140.0	11.0	20.0	46.5	140.0	20.0	30
VG2.30-5S	16B-1	21.0	140.0	16.0	25.0	46.5	160.0	20.0	30
<i>Duplex</i>									
VG2.20-1D	06B-2	21.0	140.0	5.0	20.0	46.5	120.0	20.0	10 & 20
VG2.20-2D	08B-2	21.0	140.0	7.0	20.0	46.5	120.0	20.0	20
VG2.20-3D	10B-2	21.0	140.0	9.0	25.0	46.5	140.0	20.0	20 & 30
VG2.30-4D	12B-2	21.0	140.0	11.0	30.0	46.5	140.0	20.0	30
VG2.30-5D	16B-2	21.0	140.0	16.0	45.0	46.5	160.0	20.0	30
<i>Triplex</i>									
VG2.20-1T	06B-3	21.0	140.0	5.0	25.0	46.5	120.0	20.0	10 & 20
VG2.20-2T	08B-3	21.0	140.0	7.0	35.0	46.5	120.0	20.0	20 & 30
VG2.20-3T	10B-3	21.0	140.0	9.0	42.0	46.5	140.0	20.0	20 & 30
VG2.30-4T	12B-3	21.0	140.0	11.0	50.0	46.5	140.0	20.0	30
VG2.30-5T	16B-3	21.0	140.0	16.0	80.0	46.5	160.0	20.0	30

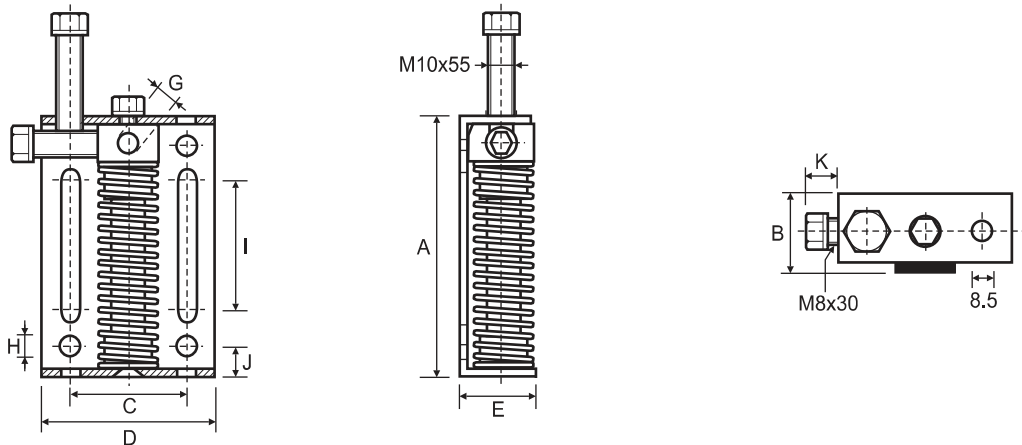


TEN JOY TENSIONER

The TEN JOY Tensioner is ideal for applications which are very tight for room. It can be used in conjunction with Sprockets or Polyethylene Slide Blocks to suit British Standard simple, duplex and triplex chain, and Rollers in both zinc plated steel and plastic.



Part No.	A	B	C	D	E	G	H	I	J	K	Newton
JB10.8	70.0	31.5	46.0	65.0	30.0	M8	6.4	30.0	12.0	11.0	0-100
JB10	70.0	31.5	46.0	65.0	30.0	M10	6.4	30.0	12.0	11.0	0-100
JB20.8	70.0	31.5	46.0	65.0	30.0	M8	6.4	30.0	12.0	11.0	0-170
JB30	70.0	31.5	46.0	65.0	30.0	M10	6.4	30.0	12.0	11.0	0-250
JB40	96.0	31.5	46.0	65.0	30.0	M10	6.4	42.0	12.0	11.0	0-400
JB40.12	96.0	31.5	46.0	65.0	30.0	M12	6.4	42.0	12.0	11.0	0-400



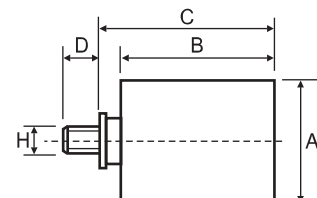
TEN JOY TENSIONER ROLLER KITS

There are two different types of rollers that are available to suit the TEN JOY tensioner, steel and plastic (polyamide). The steel rollers are zinc plated for longer life and both rollers are fitted with greased bearings. The steel rollers can be used in temperatures up to +100°C while the plastic rollers may only be used up to +70°C.



Part No.	A	B	C	D	H	To Suit
PJ1, UJ1	30.0	35.0	40.0	6.0	M8	JB10.8
PJ2/3, UJ2/3	40.0	45.0	53.2	7.0	M10	JB30
PJ4, UJ4	60.0	60.0	70.5	7.0	M12	JB40.12

PJ - Polyamide Roller
 UJ - Zinc Plated Steel Roller

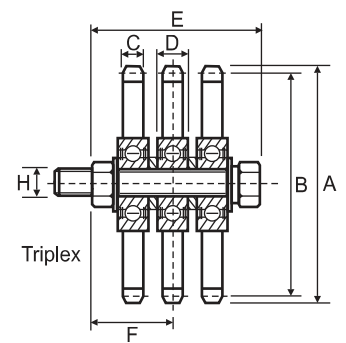
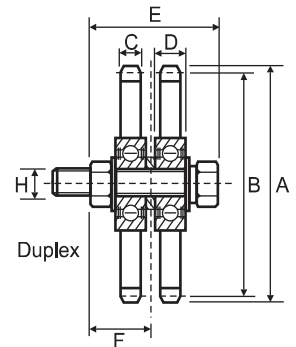
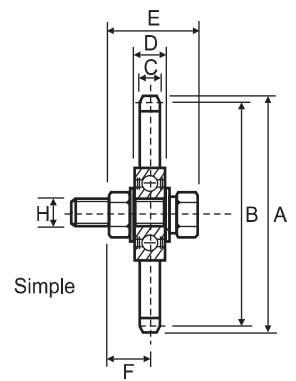


TEN JOY TENSIONER SPROCKETS

Sprockets to suit the TEN JOY are manufactured in steel and are zinc plated. They are available to suit British Standard simple, duplex and triplex chains. The assembly is supplied with a bearing and bolt set. They can be used at speeds up to 60m/min and temperatures up to +100°C.

Part No.	Z	Chain	A	B	C	D	E	F	H	To Suit
<i>Simple</i>										
KJ30-1S	15	06B-1	49.3	45.8	5.3	9.0	30.2	14.5	M10	JB30
KJ30-2S	15	08B-1	65.5	61.1	7.2	9.0	30.2	14.5	M10	JB30
KJ40-3S	15	10B-1	83.0	76.4	9.1	12.0	32.0	15.5	M12	JB40.12
KJ40-4S	15	12B-1	99.8	91.6	11.1	12.0	32.0	15.5	M12	JB40.12
KJ40-5S	13	16B-1	117.0	106.1	16.2	15.0	37.5	17.0	M12	JB40.12
<i>Duplex</i>										
KJ30-1D	15	06B-2	49.3	45.8	5.3	9.0	41.2	20.0	M10	JB30
KJ30-2D	15	08B-2	65.5	61.1	7.2	9.0	41.2	20.0	M10	JB30
KJ40-3D	15	10B-2	83.0	76.4	9.1	9.0	51.5	24.0	M12	JB40.12
KJ40-4D	15	12B-2	99.8	91.6	11.1	12.0	51.5	25.0	M12	JB40.12
<i>Triplex</i>										
KJ30-1T	15	06B-3	49.3	45.8	5.3	9.0	50.2	23.5	M10	JB30
KJ40-2T	15	08B-3	65.5	61.1	7.2	12.0	52.0	25.5	M12	JB40.12

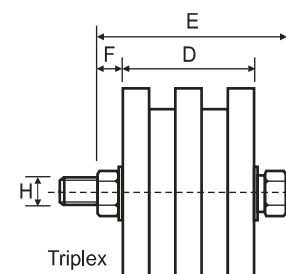
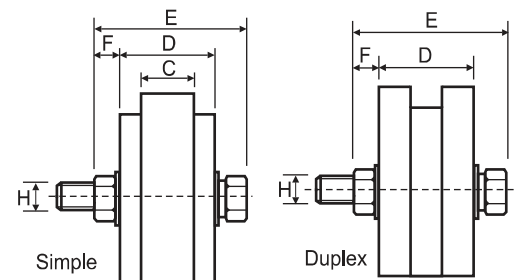
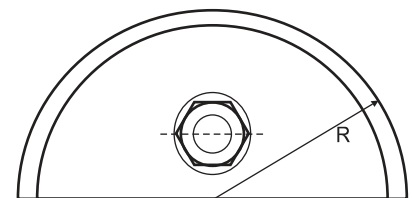
Z = No. of teeth



TEN JOY TENSIONER SLIDE BLOCKS

The TEN JOY Tensioner Slide Block consists of a polyethylene slide block and steel screw. It is available for use with British Standard simple, duplex and triplex chains. The Polyethylene Slide Block is normally used in slower speed applications and has an operating speed range up to 20m/min and a maximum working temperature of +70°C

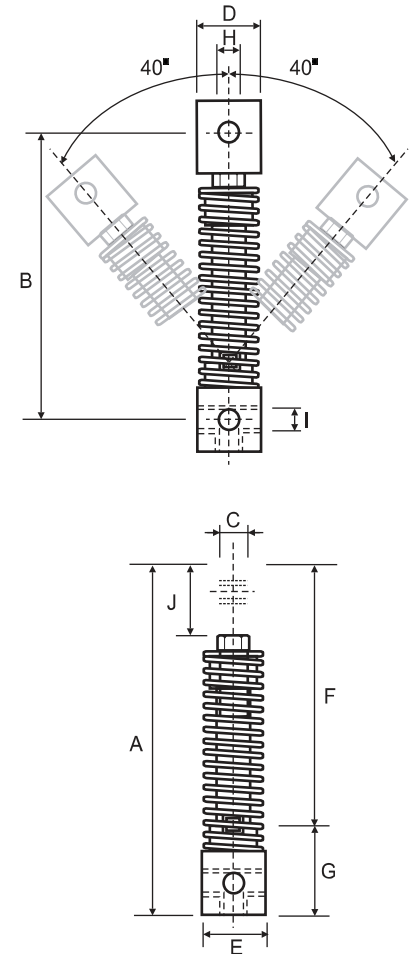
Part No.	Chain	C	D	E	F	H	R	To Suit
<i>Simple</i>								
VJ10-0S	05B-1	2.5	10.0	31.0	10.0	M10	35.0	JB10
VJ10-1S	06B-1	5.0	10.0	31.0	10.0	M10	35.0	JB10
VJ30-2S	08B-1	7.0	14.0	35.0	10.0	M10	35.0	JB30
VJ30-3S	10B-1	9.0	16.5	36.0	8.0	M10	45.0	JB30
VJ30-4S	12B-1	11.0	17.5	41.0	12.0	M10	45.0	JB30
VJ40-4S	12B-1	11.0	17.5	41.0	12.0	M10	45.0	JB40
VJ40-5S	16B-1	16.0	18.0	41.0	12.0	M10	55.0	JB40
<i>Duplex</i>								
VJ10-1D	06B-2	5.0	18.0	37.0	8.0	M10	35.0	JB10
VJ30-2D	08B-2	7.0	20.5	40.0	8.0	M10	35.0	JB30
VJ30-3D	10B-2	9.0	25.0	45.0	8.0	M10	45.0	JB30
VJ30-4D	12B-2	11.0	30.0	50.0	8.0	M10	45.0	JB30
VJ40-4D	12B-2	11.0	30.0	50.0	8.0	M10	45.0	JB40
<i>Triplex</i>								
VJ30-2T	08B-3	7.0	34.0	56.0	10.0	M10	35.0	JB30



ARCO TENSIONER*

*PATENTED

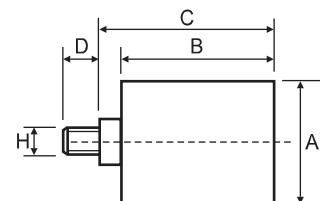
The ARCO Tensioner is very slim, making it ideal for very narrow applications. With many different ways of fitting the ARCO, the installation applications are endless. It can move 40 degrees in both directions and be used in conjunction with Sprockets and Polyethylene Slide Blocks to suit British Standard simple, duplex and triplex chain, and Rollers in both zinc plated steel and plastic.



Part No.	A	B	C	D	E	F	G	H	I	J	Newton 0 - 40
AB10.8	102.5	80.0	15.0	20.0	25.0	67.5	35.0	M8	M8	30.0	0-90
AB10.10	102.5	80.0	15.0	20.0	25.0	67.5	35.0	M10	M8	30.0	0-90
AB20.10	122.5	100.0	15.0	20.0	25.0	87.5	35.0	M10	M10	30.0	0-135
AB20.16	122.5	100.0	15.0	30.0	25.0	87.5	35.0	M16	M10	30.0	0-135
AB30.10	122.5	100.0	15.0	20.0	25.0	87.5	35.0	M10	M12	30.0	0-275
AB30.16	122.5	100.0	15.0	30.0	25.0	87.5	35.0	M16	M12	30.0	0-275
AB40.12	160.0	130.0	20.0	30.0	35.0	110.0	50.0	M12	M16	35.0	0-750
AB40.16	160.0	130.0	20.0	30.0	35.0	110.0	50.0	M16	M16	35.0	0-750
AB50.16	215.0	175.0	30.0	45.0	50.0	145.0	70.0	M16	M20	45.0	0-1400
AB50.20	215.0	175.0	30.0	45.0	50.0	145.0	70.0	M20	M20	45.0	0-1400
AB60.20	270.0	220.0	35.0	50.0	70.0	175.0	95.0	M20	M24	50.0	0-2360

ARCO TENSIONER ROLLER KITS

There are two different types of rollers that are available to suit the ARCO, steel and plastic (polyamide). The steel rollers are zinc plated for longer life and both rollers are fitted with greased bearings. The steel rollers can be used in temperatures up to +100°C while the plastic rollers may only be used up to +70°C.



Part No.	A	B	C	D	H	To Suit
RP1, RU1	30.0	35.0	38.0	13.0	M8	AB10.8
RP2/3, RU2/3	40.0	45.0	51.0	16.0	M10	AB20.10
RP4	60.0	60.0	68.0	21.0	M12	AB40.12
RU4	60.0	60.0	68.0	21.0	M16	AB40.16
RP5, RU5	80.0	90.0	99.0	28.0	M20	AB50.20
RP6, RU6	90.0	135.0	142.0	27.0	M20	AB60.20

RP - Polyamide Roller
RU - Zinc Plated Steel Roller

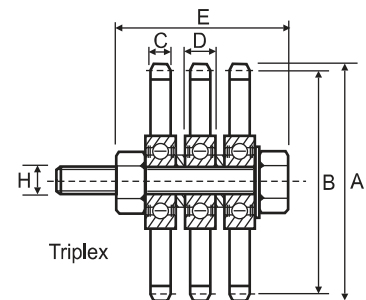
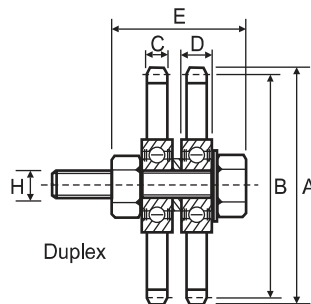
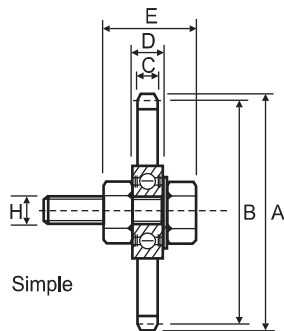
ARCO TENSIONER SPROCKETS

Sprockets to suit the ARCO are manufactured in steel and are zinc plated. They are available to suit British Standard simple, duplex and triplex chains. The assembly is supplied with a bearing and bolt set. They can be used at speeds up to 60m/min and temperatures up to +100°C.



Part No.	Z	Chain	A	B	C	D	E	H	To Suit
<i>Simple</i>									
KB20-1S	15	06B-1	49.3	45.8	5.3	9.0	26.0	M10	AB20.10
KB30-1S	15	06B-1	49.3	45.8	5.3	9.0	26.0	M10	AB30.10
KB30-2S	15	08B-1	65.5	61.1	7.2	9.0	26.0	M10	AB30.10
KB40-3S	15	10B-1	83.0	76.4	9.1	12.0	35.0	M12	AB40.12
KB40-4S	15	12B-1	99.8	91.6	11.1	12.0	35.0	M12	AB40.12
KB50-4S	15	12B-1	99.8	91.6	11.1	15.0	43.0	M20	AB50.20
KB50-5S	13	16B-1	117.0	106.1	16.2	15.0	47.0	M20	AB50.20
KB60-6S	13	20B-1	147.8	132.7	18.5	15.0	58.0	M20	AB60.20
KB60-7S	11	24B-1	150.0	135.2	24.1	15.0	60.0	M20	AB60.20
<i>Duplex</i>									
KB20-1D	15	06B-2	49.3	45.8	5.3	9.0	36.0	M10	AB20.10
KB30-1D	15	06B-2	49.3	45.8	5.3	9.0	36.0	M10	AB30.10
KB30-2D	15	08B-2	65.5	61.1	7.2	9.0	40.0	M10	AB30.10
KB40-3D	15	10B-2	83.0	76.4	9.1	12.0	51.0	M12	AB40.12
KB40-4D	15	12B-2	99.8	91.6	11.1	12.0	55.0	M12	AB40.12
KB50-4D	15	12B-2	99.8	91.6	11.1	15.0	63.0	M20	AB50.20
KB50-5D	13	16B-2	117.0	106.1	16.2	15.0	79.0	M20	AB50.20
<i>Triplex</i>									
KB30-1T	15	06B-3	49.3	45.8	5.3	9.0	47.0	M10	AB30.10
KB40-2T	15	08B-3	65.5	61.1	7.2	12.0	58.0	M12	AB40.12
KB50-4T	15	12B-3	99.8	91.6	11.1	15.0	82.0	M20	AB50.20
KB60-5T	13	16B-3	117.0	106.1	16.2	15.0	118.0	M20	AB60.20

Z = No. of teeth

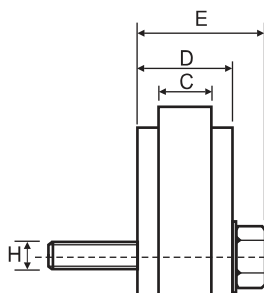


ARCO TENSIONER SLIDE BLOCKS

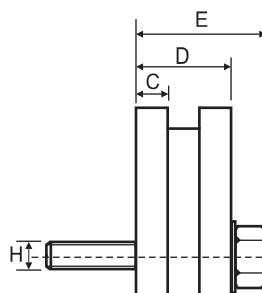
The ARCO Tensioner Slide Block consists of a polyethylene slide block and steel screw. It is available for use with British Standard simple, duplex and triplex chains. The Polyethylene Slide Block is normally used in slower speed applications and has an operating speed range up to 20m/min and a maximum working temperature of +70°C.



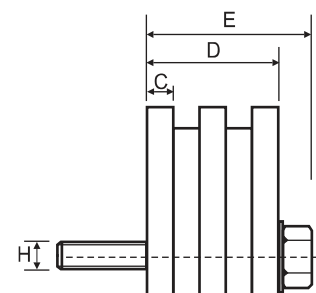
Part No.	Chain	C	D	E	H	R	To Suit
<i>Simple</i>							
VB10-0S	05B-1	2.5	10.0	19.0	M10	35.0	AB10.10
VB10-1S	06B-1	5.0	10.0	19.0	M10	35.0	AB10.10
VB20-2S	08B-1	7.0	14.0	23.0	M10	35.0	AB20.10
VB30-2S	08B-1	7.0	14.0	23.0	M10	35.0	AB30.10
VB30-3S	10B-1	9.0	16.5	25.5	M10	45.0	AB30.10
VB30-4S	12B-1	11.0	17.5	26.5	M10	45.0	AB30.10
VB40-4S	12B-1	11.0	17.5	28.0	M12	45.0	AB40.12
VB40-5S	16B-1	16.0	18.0	28.5	M12	55.0	AB40.12
VB50-6S	20B-1	18.0	20.0	33.0	M16	55.0	AB50.16
VB50-7S	24B-1	24.0	24.0	37.0	M16	55.0	AB50.16
<i>Duplex</i>							
VB10-1D	06B-2	5.0	18.0	27.0	M10	35.0	AB10.10
VB20-2D	08B-2	7.0	20.5	29.5	M10	35.0	AB20.10
VB30-2D	08B-2	7.0	20.5	29.5	M10	35.0	AB30.10
VB30-3D	10B-2	9.0	25.0	34.0	M10	45.0	AB30.10
VB30-4D	12B-2	11.0	30.0	39.0	M10	45.0	AB30.10
VB40-4D	12B-2	11.0	30.0	40.5	M12	45.0	AB40.12
VB40-5D	16B-2	16.0	47.0	57.5	M12	55.0	AB40.12
VB50-5D	16B-2	16.0	47.0	60.0	M16	55.0	AB50.16
<i>Triplex</i>							
VB20-1T	06B-3	5.0	25.0	39.0	M10	35.0	AB20.10
VB30-2T	08B-3	7.0	34.0	43.0	M10	35.0	AB30.10
VB40-4T	12B-3	11.0	49.0	59.5	M12	45.0	AB40.12
VB40-5T	16B-3	16.0	79.5	90.0	M12	55.0	AB40.12
VB50-5T	16B-3	16.0	79.5	92.5	M16	55.0	AB50.16



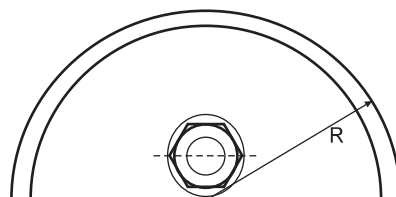
Simple



Duplex



Triplex



TEN BLOC TENSIONER* (with Sprocket)

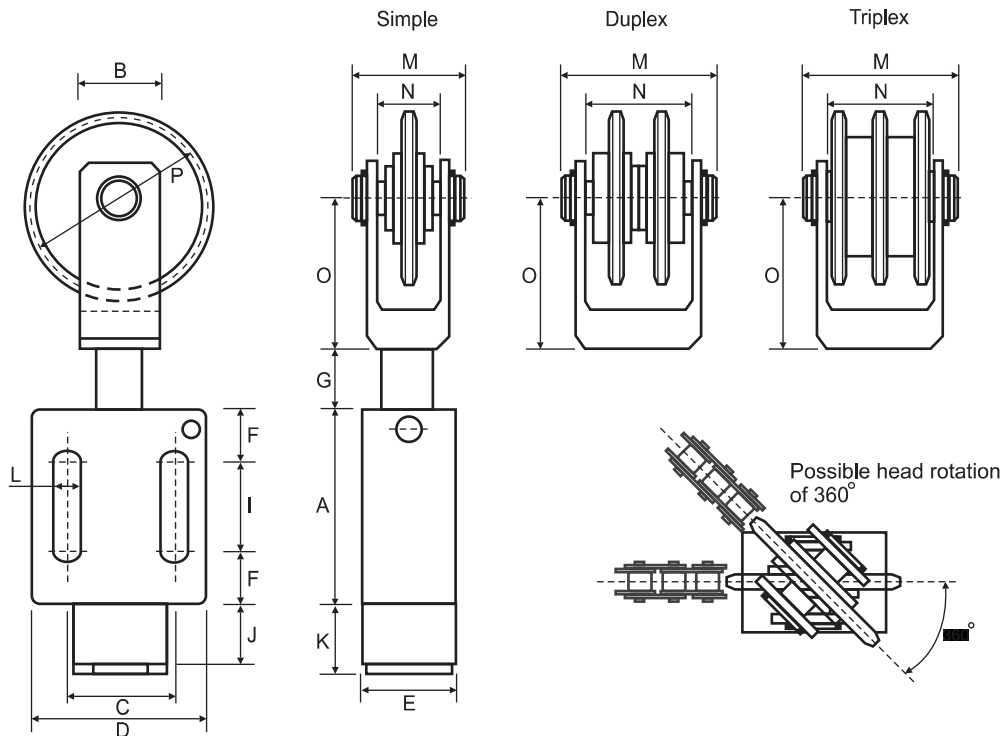
*PATENTED

The TEN BLOC Tensioners has a self aligning head that can swing through 360 degrees to align with the chain or belt. It has an aluminium body and steel nickel plated column. It is capable of higher torques than other similar type tensioners. It comes pre-assembled with your choice of British Standard simple, duplex or triplex sprockets.



Part No.	Z	Chain	A	B	C	D	E	F	G	I	J	K	L	M	N	O	P	Newton
<i>Simple</i>																		
TBRR1S	21	06B-1	65.0	30.0	40.0	60.0	35.0	17.0	27.0	31.0		3.0	9.0	40.0	19.0	60.0	63.9	60-170
TBRR2S	18	08B-1	65.0	30.0	40.0	60.0	35.0	17.0	27.0	31.0		3.0	9.0	40.0	19.0	60.0	73.1	90-250
TBRR3S	17	10B-1	65.0	30.0	40.0	60.0	35.0	17.0	27.0	31.0	25.0	28.0	9.0	45.0	19.0	70.0	86.4	100-400
TBRR4S	15	12B-1	65.0	30.0	40.0	60.0	35.0	17.0	27.0	31.0	25.0	28.0	9.0	45.0	19.0	70.0	91.6	100-400
TBRRP5S	12	16B-1	65.0	40.0	40.0	60.0	35.0	17.0	27.0	31.0	50.0	53.0	9.0	45.0	19.0	77.5	98.1	180-700
<i>Duplex</i>																		
TBRR1D	21	06B-2	65.0	30.0	40.0	60.0	35.0	17.0	27.0	31.0		3.0	9.0	60.0	37.0	60.0	63.9	60-170
TBRR2D	18	08B-2	65.0	30.0	40.0	60.0	35.0	17.0	27.0	31.0		3.0	9.0	60.0	37.0	60.0	73.1	90-250
TBRR3D	17	10B-2	65.0	30.0	40.0	60.0	35.0	17.0	27.0	31.0	25.0	28.0	9.0	65.0	37.0	70.0	86.4	100-400
TBRR4D	15	12B-2	65.0	30.0	40.0	60.0	35.0	17.0	27.0	31.0	25.0	28.0	9.0	65.0	37.0	70.0	91.6	100-400
TBRRP5D	12	16B-2	65.0	40.0	40.0	60.0	35.0	17.0	27.0	31.0	50.0	53.0	9.0	78.0	51.0	77.5	98.1	180-700
<i>Triplex</i>																		
TBRR1T	21	06B-3	65.0	30.0	40.0	60.0	35.0	17.0	27.0	31.0		3.0	9.0			60.0	63.9	60-170
TBRR2T	18	08B-3	65.0	30.0	40.0	60.0	35.0	17.0	27.0	31.0		3.0	9.0			60.0	73.1	90-250
TBRR4T	15	12B-3	65.0	30.0	40.0	60.0	35.0	17.0	27.0	31.0	25.0	28.0	9.0			70.0	91.6	100-400
TBRRP5T	12	16B-3	65.0	40.0	40.0	60.0	35.0	17.0	27.0	31.0	50.0	53.0	9.0			77.5	98.1	180-700

Z = No. of teeth



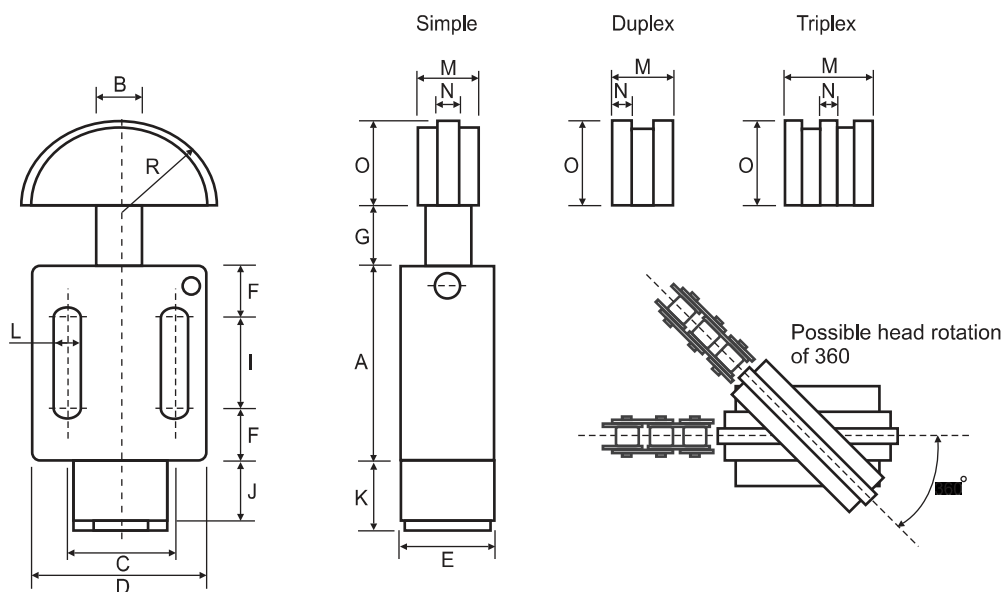
TEN BLOC TENSIONER* (with Polyethylene Slide Block)

*PATENTED

The TEN BLOC Tensioner has a self aligning head that can swing through 360 degrees to align with the chain or belt. It has an aluminium body and steel nickel plated column. It is capable of higher torques than other similar type tensioners. It comes pre-assembled with your choice of polyethylene slide blocks to suit British Standard simple, duplex or triplex chain.



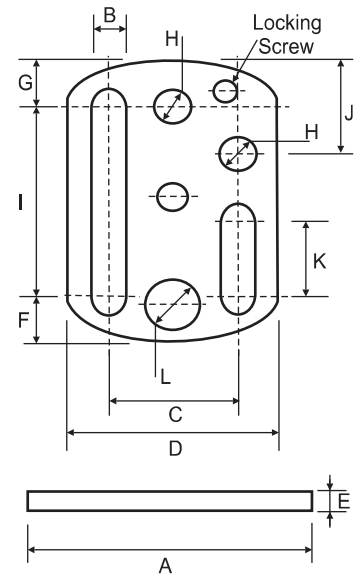
Part No.	Chain	A	B	C	D	E	F	G	I	J	K	L	M	N	O	R	Newton
<i>Simple</i>																	
TBV0S	05B-1	65.0	18.0	40.0	60.0	35.0	17.0	27.0	31.0		3.0	9.0	18.0	2.5	33.0	35.0	30-100
TBV1S	06B-1	65.0	18.0	40.0	60.0	35.0	17.0	27.0	31.0		3.0	9.0	18.0	5.0	33.0	35.0	60-170
TBV2S	08B-1	65.0	18.0	40.0	60.0	35.0	17.0	27.0	31.0		3.0	9.0	18.0	7.0	33.0	35.0	90-250
TBV3S	10B-1	65.0	18.0	40.0	60.0	35.0	17.0	27.0	31.0	25.0	28.0	9.0	18.0	9.0	43.0	45.0	100-400
TBV4S	12B-1	65.0	18.0	40.0	60.0	35.0	17.0	27.0	31.0	25.0	28.0	9.0	18.0	11.0	43.0	45.0	100-400
TBVP5S	16B-1	65.0	18.0	40.0	60.0	35.0	17.0	27.0	31.0	50.0	53.0	9.0	20.0	16.0	53.0	55.0	180-700
TBVP6S	20B-1	65.0	18.0	40.0	60.0	35.0	17.0	27.0	31.0	50.0	53.0	9.0	22.0	18.0	53.0	55.0	180-700
TBVP7S	24B-1	65.0	18.0	40.0	60.0	35.0	17.0	27.0	31.0	50.0	53.0	9.0	24.0	24.0	53.0	55.0	180-700
<i>Duplex</i>																	
TBV1D	06B-1	65.0	18.0	40.0	60.0	35.0	17.0	27.0	31.0		3.0	9.0	18.0	5.0	33.0	35.0	60-170
TBV2D	08B-1	65.0	18.0	40.0	60.0	35.0	17.0	27.0	31.0		3.0	9.0	21.0	7.0	33.0	35.0	90-250
TBV3D	10B-1	65.0	18.0	40.0	60.0	35.0	17.0	27.0	31.0	25.0	28.0	9.0	25.0	9.0	43.0	45.0	100-400
TBV4D	12B-1	65.0	18.0	40.0	60.0	35.0	17.0	27.0	31.0	25.0	28.0	9.0	30.0	11.0	43.0	45.0	100-400
TBVP5D	16B-1	65.0	18.0	40.0	60.0	35.0	17.0	27.0	31.0	50.0	53.0	9.0	47.0	16.0	53.0	55.0	180-700
<i>Triplex</i>																	
TBV1T	06B-1	65.0	18.0	40.0	60.0	35.0	17.0	27.0	31.0		3.0	9.0	25.0	5.0	33.0	35.0	60-170
TBV2T	08B-1	65.0	18.0	40.0	60.0	35.0	17.0	27.0	31.0		3.0	9.0	34.0	7.0	33.0	35.0	90-250
TBV4T	12B-1	65.0	18.0	40.0	60.0	35.0	17.0	27.0	31.0	25.0	28.0	9.0	49.0	11.0	43.0	45.0	100-400
TBVP5T	16B-1	65.0	18.0	40.0	60.0	35.0	17.0	27.0	31.0	50.0	53.0	9.0	79.0	16.0	53.0	55.0	180-700



MIX TENSIONER

The MIX Tensioner is available in two sizes but it can be used in many ways making it a very versatile manual tensioner. There are varying accessories available that can be used including, Sprockets and Polyethylene Slide Blocks to suit British Standard simple and duplex chain, and Rollers in both zinc plated steel and plastic.

Part No.	A	B	C	D	E	F	G	H	I	J	K	L
MIX.8	65.0	8.5	30.0	50.0	6.0	11.0	12.0	M8	42.0	22.0	20.0	12.5
MIX.10	65.0	8.5	30.0	50.0	6.0	11.0	12.0	M10	42.0	22.0	20.0	12.5

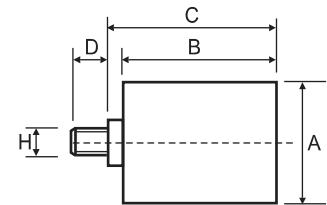


MIX TENSIONER ACCESSORIES

ROLLERS

Part No.	A	B	C	D	H	To Suit
PM1, UJ1	30.0	35.0	40.0	5.5	M8	MIX.8
PM2/3, UJ2/3	40.0	45.0	53.2	4.0	M10	MIX.10

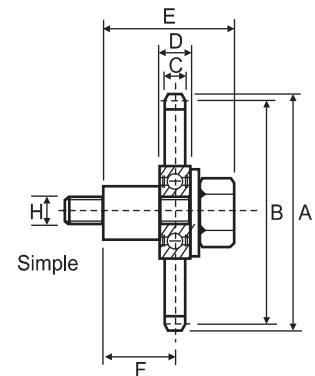
PM - Polyamide Roller
 UJ - Zinc Plated Steel Roller



SPROCKETS

Part No.	Z	Chain	A	B	C	D	E	F	H	To Suit
<i>Simple</i>										
KM10-1S	15	06B-1	49.3	45.8	5.3	9.0	31.0	17.5	M10	MIX.10
KM10-2S	15	08B-1	65.5	61.1	7.2	9.0	31.0	17.5	M10	MIX.10
<i>Duplex</i>										
KM10-1D	15	06B-2	49.3	45.8	5.3	9.0	42.0	23.0	M10	MIX.10
KM10-2D	15	08B-2	65.5	61.1	7.2	9.0	46.0	24.0	M10	MIX.10

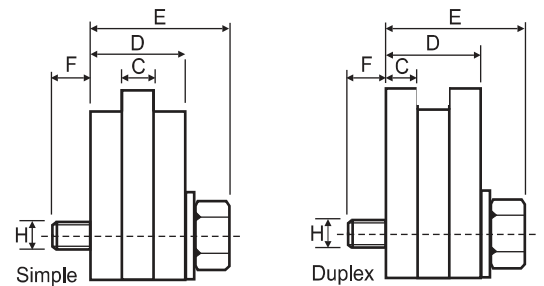
Z = No. of teeth



POLYETHYLENE SLIDE BLOCKS

Part No.	Chain	C	D	E	F	H	R	To Suit
<i>Simplex</i>								
VM10-0S	05B-1	2.5	10.0	19.0	6.0	M10	35.0	MIX.10
VM10-1S	06B-1	5.0	10.0	19.0	6.0	M10	35.0	MIX.10
VM10-2S	08B-1	7.0	14.0	23.0	6.0	M10	35.0	MIX.10
VM10-3S	10B-1	9.0	16.5	27.5	4.5	M10	35.0	MIX.10
<i>Duplex</i>								
VM10-1D	06B-2	5.0	18.0	27.0	5.0	M10	35.0	MIX.10
VM10-2D	08B-2	7.0	20.5	31.5	6.0	M10	35.0	MIX.10
VM10-3D	10B-2	9.0	25.0	36.0	6.0	M10	35.0	MIX.10

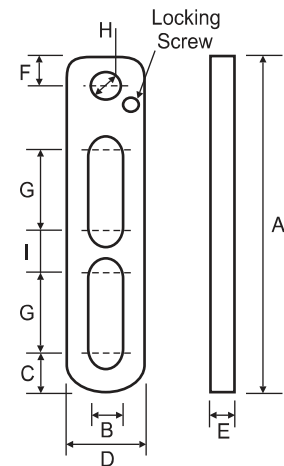
R = Radius



ASSO TENSIONER

The ASSO Tensioner is ideal for taking up tension on chain or belting where no shock absorption is required. A basic zinc plated steel arm, it can be used in conjunction with Sprockets and Polyethylene Slide Blocks to suit British Standard simple and duplex chain, and Rollers in both zinc plated steel and plastic.

Part No.	A	B	C	D	E	F	G	H	I
AH1.8	125.0	10.5	15.3	30.0	8.0	10.0	29.5	M8	15.5
AH1.10	125.0	10.5	15.3	30.0	8.0	10.0	29.5	M10	15.5
AH1.12	125.0	10.5	15.3	30.0	8.0	10.0	29.5	M12	15.5
AH2.10	150.0	12.5	18.3	35.0	10.0	17.0	32.5	M10	17.5
AH2.12	150.0	12.5	18.3	35.0	10.0	17.0	32.5	M12	17.5
AH2.16	150.0	12.5	18.3	35.0	10.0	17.0	32.5	M16	17.5

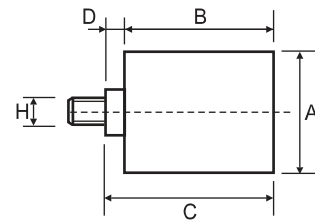


ASSO TENSIONER ACCESSORIES

ROLLERS

Part No.	A	B	C	D	H	To Suit
DPH30, DAH30	30.0	35.0	38.0	3.0	M8	AH1.8
DPH40, DAH40	40.0	45.0	51.0	6.0	M10	AH1.10
DPH60	60.0	60.0	68.0	8.0	M12	AH2.12
DAH60	60.0	60.0	68.0	8.0	M16	AH2.16

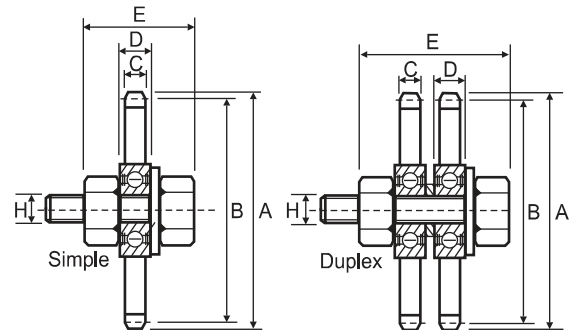
DPH - Polyamide Roller DAH - Zinc Plated Steel Roller



SPROCKETS

Part No.	Z	Chain	A	B	C	D	E	H	To Suit
<i>Simple</i>									
CH1-3/8S	15	06B-1	49.3	45.8	5.3	9.0	28.0	M10	AH1.10
CH1-1/2S	15	08B-1	65.5	61.1	7.2	9.0	28.0	M10	AH1.10
CH2-5/8S	15	10B-1	83.0	76.4	9.1	12.0	34.5	M12	AH2.12
CH2-3/4S	15	12B-1	99.8	91.6	11.1	12.0	34.5	M12	AH2.12
CH2-1S	13	16B-1	117.0	106.1	16.2	15.0	38.0	M16	AH2.16
<i>Duplex</i>									
CH1-3/8D	15	06B-2	49.3	45.8	5.3	9.0	39.0	M10	AH1.10
CH1-1/2D	15	08B-2	65.5	61.1	7.2	9.0	41.0	M10	AH1.10
CH2-5/8D	15	10B-2	83.0	76.4	9.1	12.0	51.5	M12	AH2.12
CH2-3/4D	15	12B-2	99.8	91.6	11.1	12.0	54.0	M12	AH2.12
CH2-1D	13	16B-2	117.0	106.1	16.2	15.0	70.0	M16	AH2.16

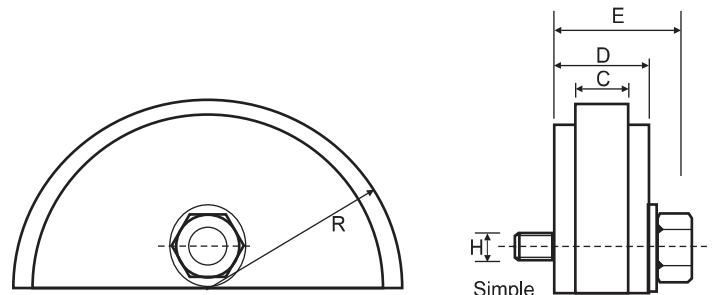
Z = No. of teeth



POLYETHYLENE SLIDE BLOCKS

Part No.	Chain	D	E	H	R	To Suit
<i>Simple</i>						
TH1-3/8S	06B-1	10.0	19.0	M10	35.0	AH1.10
TH1-1/2S	08B-1	14.0	23.0	M10	35.0	AH1.10
TH2-5/8S	10B-1	16.5	25.5	M10	45.0	AH2.10
TH2-3/4S	12B-1	17.5	26.5	M10	45.0	AH2.10
TH2-1S	16B-1	18.0	28.5	M12	55.0	AH2.12
TH2-1.1/4S	20B-1	20.0	30.5	M12	55.0	AH2.12
TH2-1.1/2S	24B-1	24.0	34.5	M12	55.0	AH2.12

Duplex also available



INTERCHANGE CHART



ATLANTIS	Rosta	Resatec
T211RE10	SE11	TE2
T315RE20	SE15	TE3
T418RE30	SE18	TE4
T527RE40	SE27	TE5
T638RE50	SE38	TE6
T745RE60	SE45	TE7
T850RE70	SE50	TE8

ATLANTIS

Interchanges with



BLU

Spann Box Size 0



BLUD
with Standard Bracket

Spann Box Size 30



BLUD
with L-Shaped Bracket

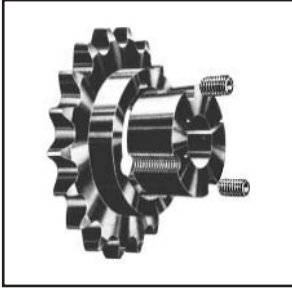
Spann Box Size 1



TEN JOY

Spann Boy

Refer to catalogue for specifications.



Sprocket in both B.S. A.S.A. - Plates, Simplex, Duplex & Triplex. Chain in B.S. A.S.A. Conveyor & Special chains.



A full range of Ruland shaft collars are available.



Variable speed pulleys.
Zero-Max variable speed drives.



A large range of shaft locking bushes can be supplied.



Timing pulleys Classical, HTD, Metric T & AT & Poly Chain G.T. With belts to suit.



A full range of Poly-V Pulleys, V-pulleys with belts to suit.



Krzysztof Pielczyk
ul. Cegielniana 44
47-400 Racibórz

Biuro handlowe:
ul. M. C. Skłodowskiej 42
47-400 Racibórz

tel./fax: 32 417 02 68
tel. kom: +48 602 298 560

e-mail: atltech@atltech.pl
e-mail: sprzedaz@atltech.pl

